

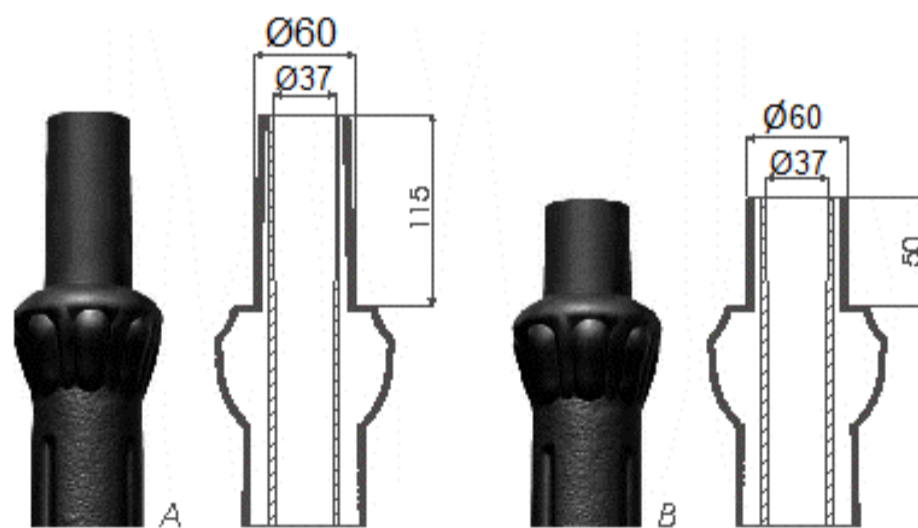
**Technical data**

Pole			S-30W**
Height H [m]			2,765
Colour			black
Standard pole (code)	Spigot ending	A	13011
		B	13021
High thermal resistance pole (code)		A	13011F
		B	13021F
Net weight [kg]	A	26,0	
	B	25,0	
Volume [m <sup>3</sup> ]*	A, B	0,1	
Pole top mounted			pole spigot „B” – Ø60 – OS-1, OP, OPA-1
Compatible extension arms			pole spigot „A” – Ø60 – arm systems: 1, 2, 2+1, 3, 3+1
Concrete footing / reinforcement basket			B-30 / Z-30
Concrete footing code/reinforcement basket			311130 / 311203
Nut set code			311003

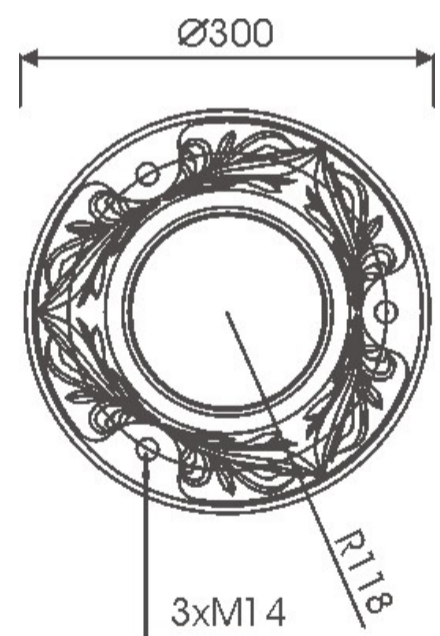
\* For order of more than 10 pcs stated volume may change according to packing

\*\* pole with chamber

**Spigot ending types**



**Pole base scheme**



2765

Ø300 [mm]