



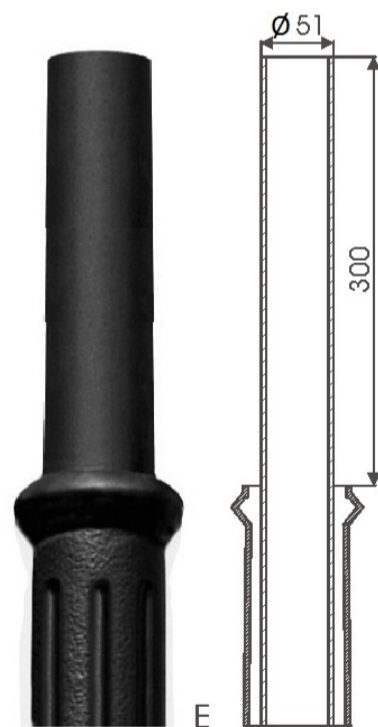
Technical data

Pole			SM-2W**
Height H [m]			5,15
Colour			czarny
Standard pole (code)	Spigot ending	E	15651
High thermal resistance pole (code)			15651F
Net weight [kg]			55
Volume [m ³]*			0,19
Compatible extension arms			WTM except WTM-14/3 and WTM-20/3
Concrete footing / reinforcement basket			B-40 / Z-40
Concrete footing code/reinforcement basket			311140 / 311204
Nut set code			311003

* For order of more than 10 pcs stated volume may change according to packing

** pole with chamber

Spigot ending type



Pole base scheme

