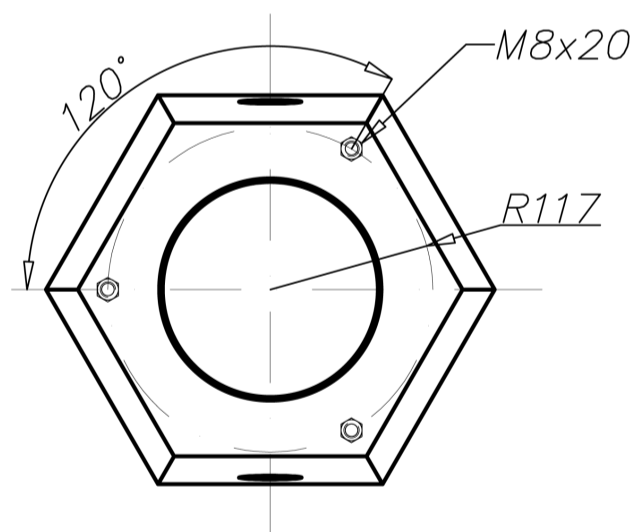
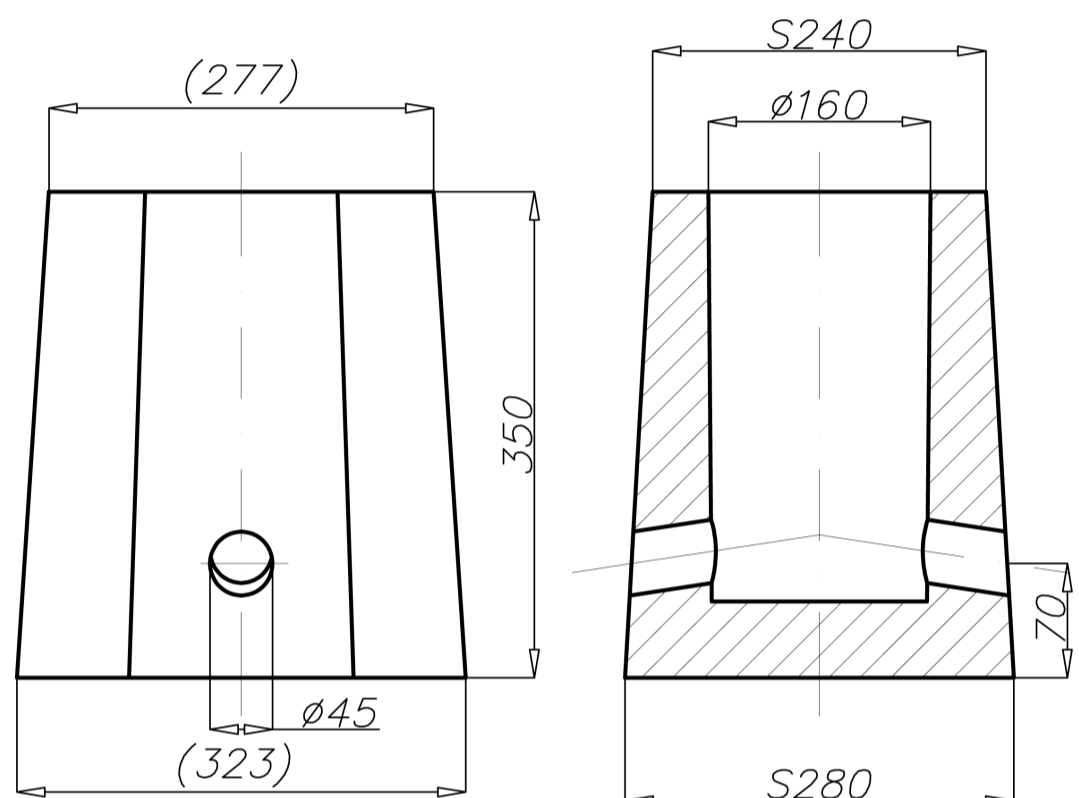


Concrete footing B-1



Technical data

Concrete footing	B-1
Code	311101
Weight [kg]*	35
Hot galvanized nut set	M8x50 geomet DIN 6921
Application	for mounting SO 618, 621 bollards

* for transportation purposes should be considered possibility of soaking concrete - increase weight max to 5%