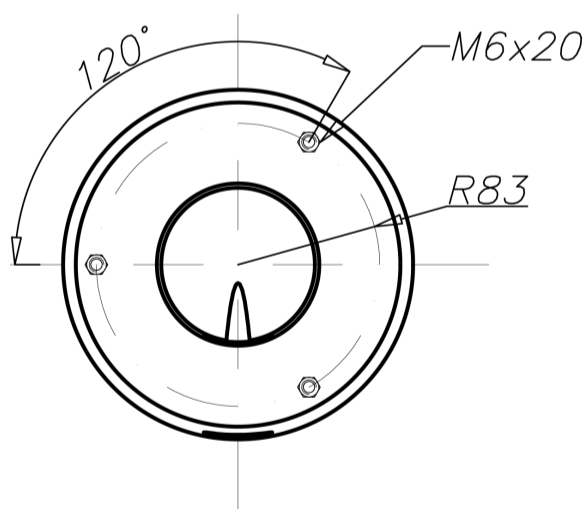
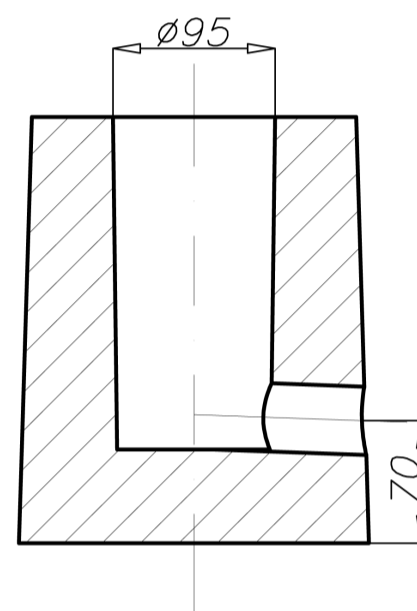
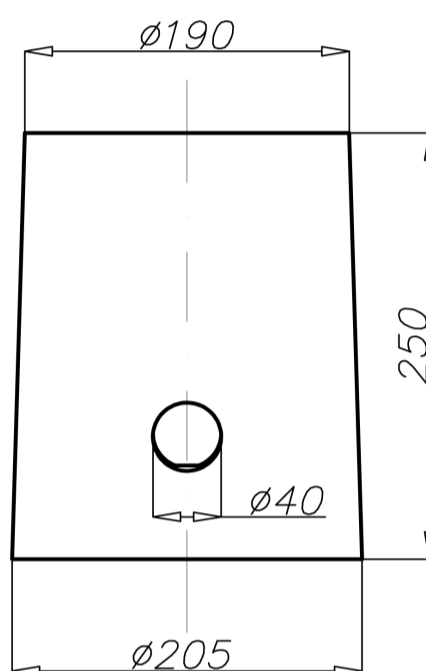


# Concrete footing B-11



## Technical data

Concrete footing	<b>B-11</b>
Code	311111
Weight [kg]*	14
Hot galvanized nut set	M6x20 geomet DIN 6921
Application	for mounting Sop 200-1200 bollards

\* for transportation purposes should be considered possibility of soaking concrete - increase weight max to 5%