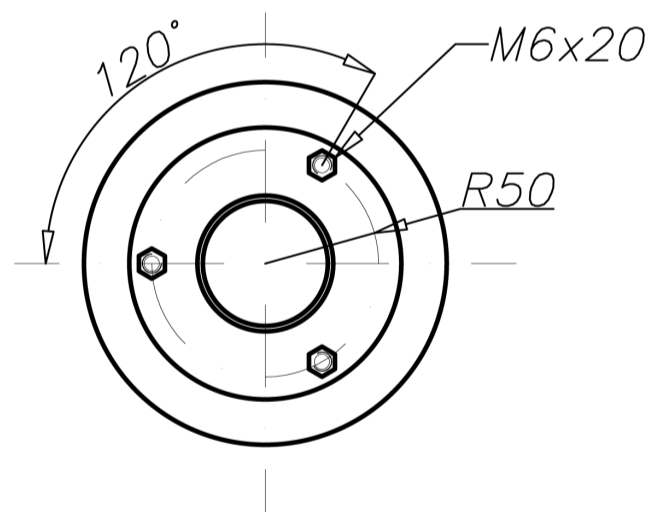
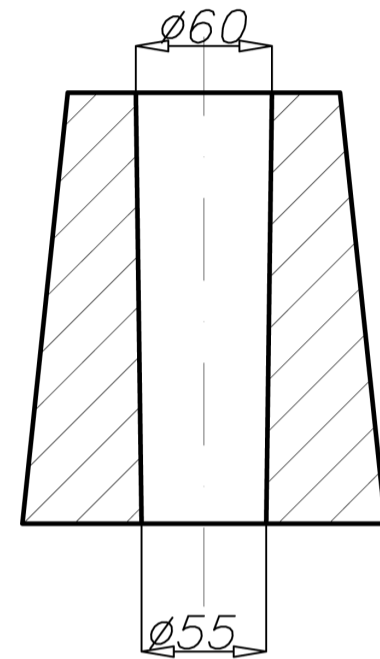
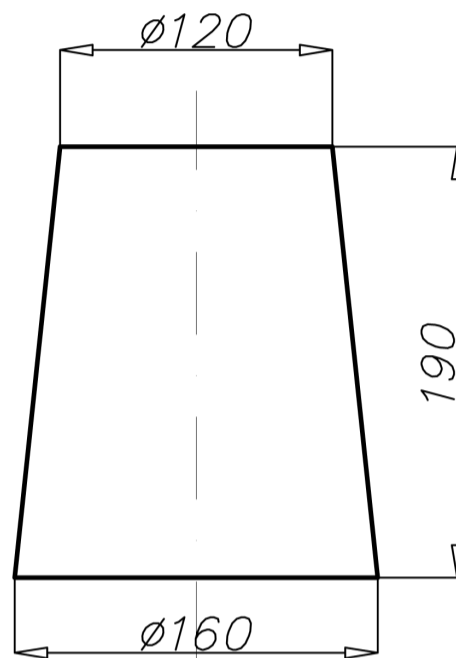


Concrete footing B-16



Technical data

Concrete footing	B-16
Code	311116
Weight [kg]*	6
Hot galvanized nut set	M6x20 geomet DIN 6921
Application	for mounting S-MLA bollards

* for transportation purposes should be considered possibility of soaking concrete - increase weight max to 5%