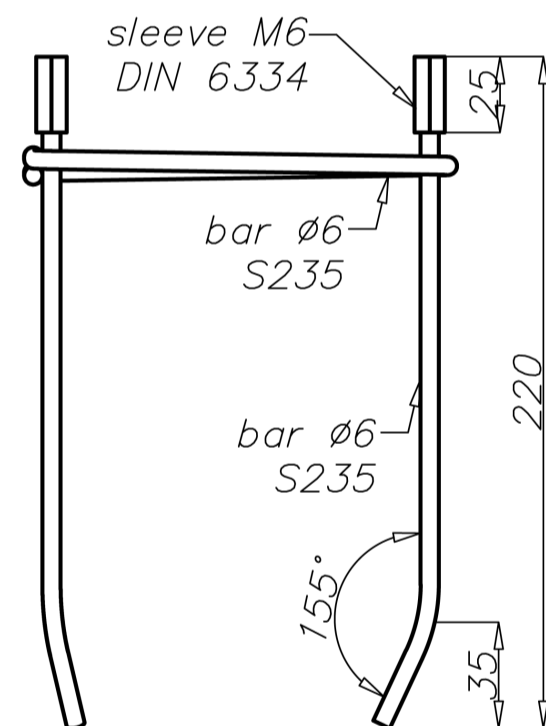
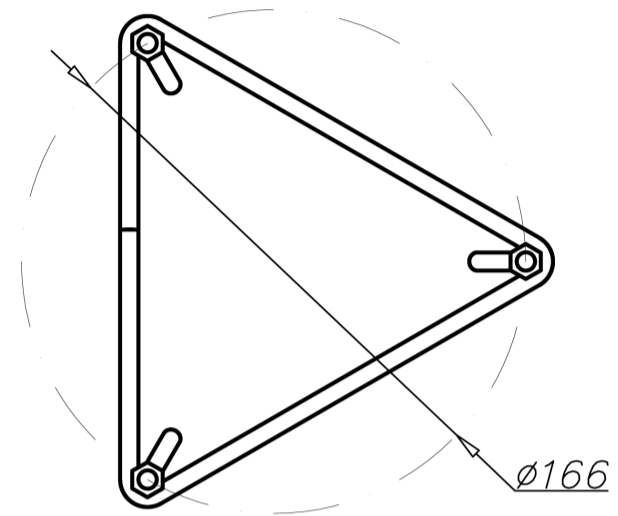


Reinforcement basket Z-11



Technical data

Reinforcement basket	Z-11
Code	311211
Weight [kg]	0,3
Hot galvanized nut set	M6x20 geomet GIN 6921
Application	for mounting Sop 200-1200