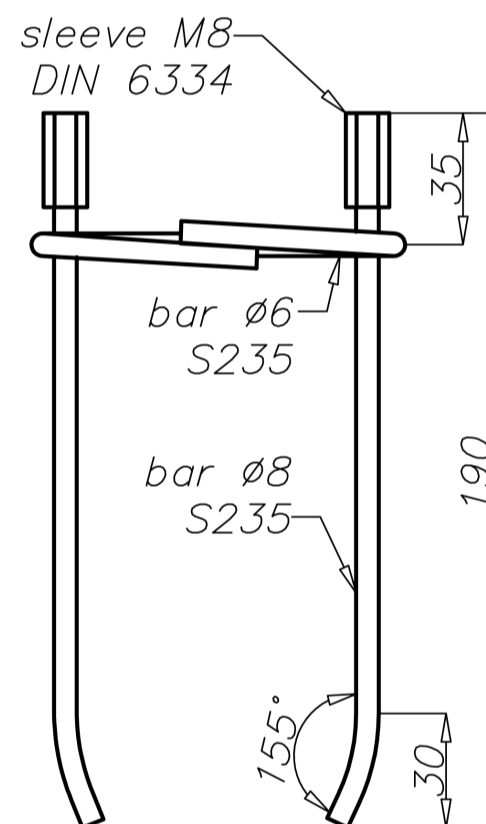
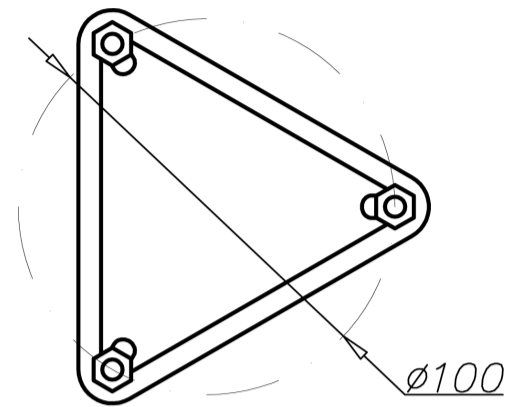


Reinforcement basket Z-16



Technical data

Reinforcement basket	Z-16
Code	311216
Weight [kg]	0,25
Hot galvanized nut set	M6x20 geomet DIN 6921
Application	for mounting S-MLA