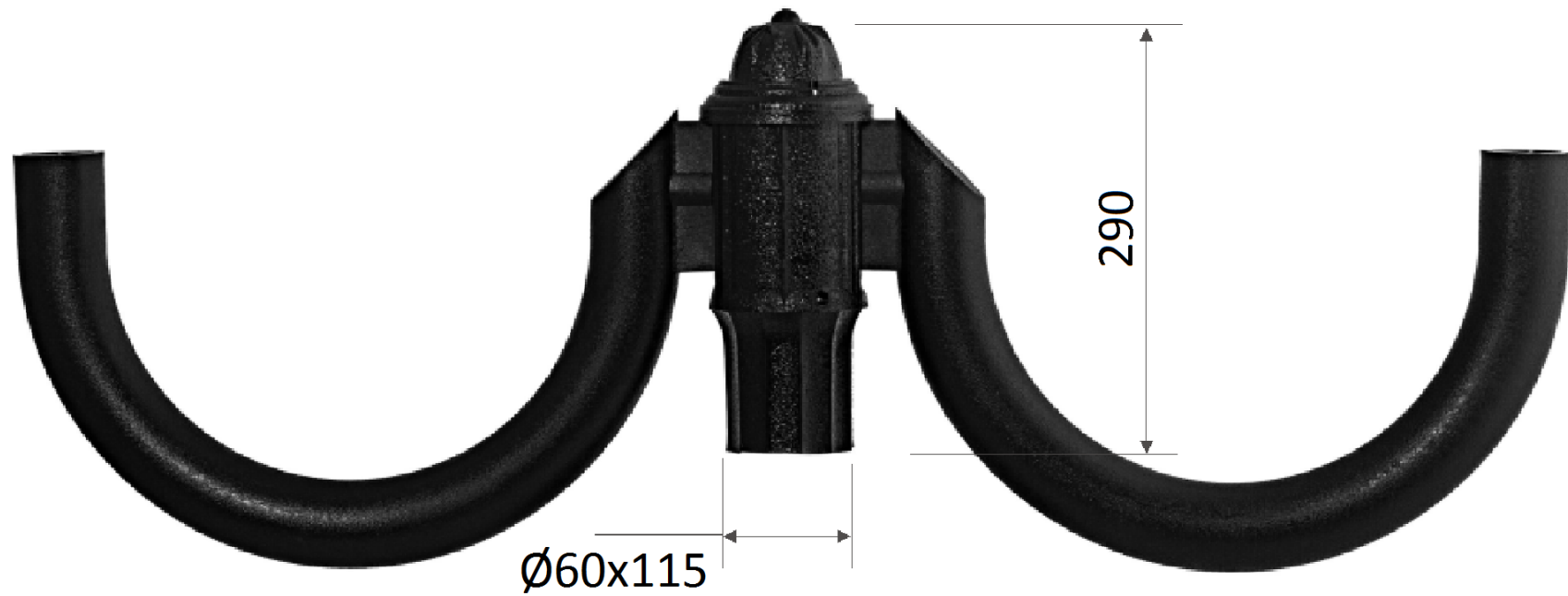
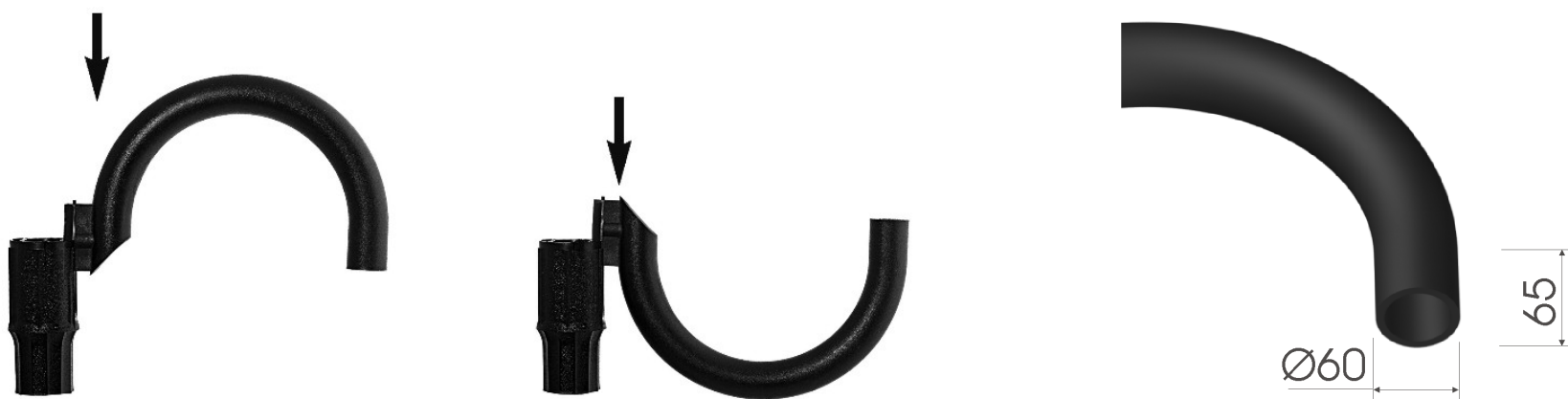


# Arm system P „2”



Arm system P „2” upwards



Way of assembling arm system in head: downwards or upwards

Spigot ending arm

## Technical data

Arm system	Arm system P „2”
Code	342000
Application	SP type poles with spigot ending "A"
Number of arms	2
Net weight [kg]	5,60
Unit volume [m <sup>3</sup> ]	0,024
Spigot diameter [mm]	Ø 60
Luminaire usage	OS-1, OP (upwards and downwards), OPA-1 (only upwards)