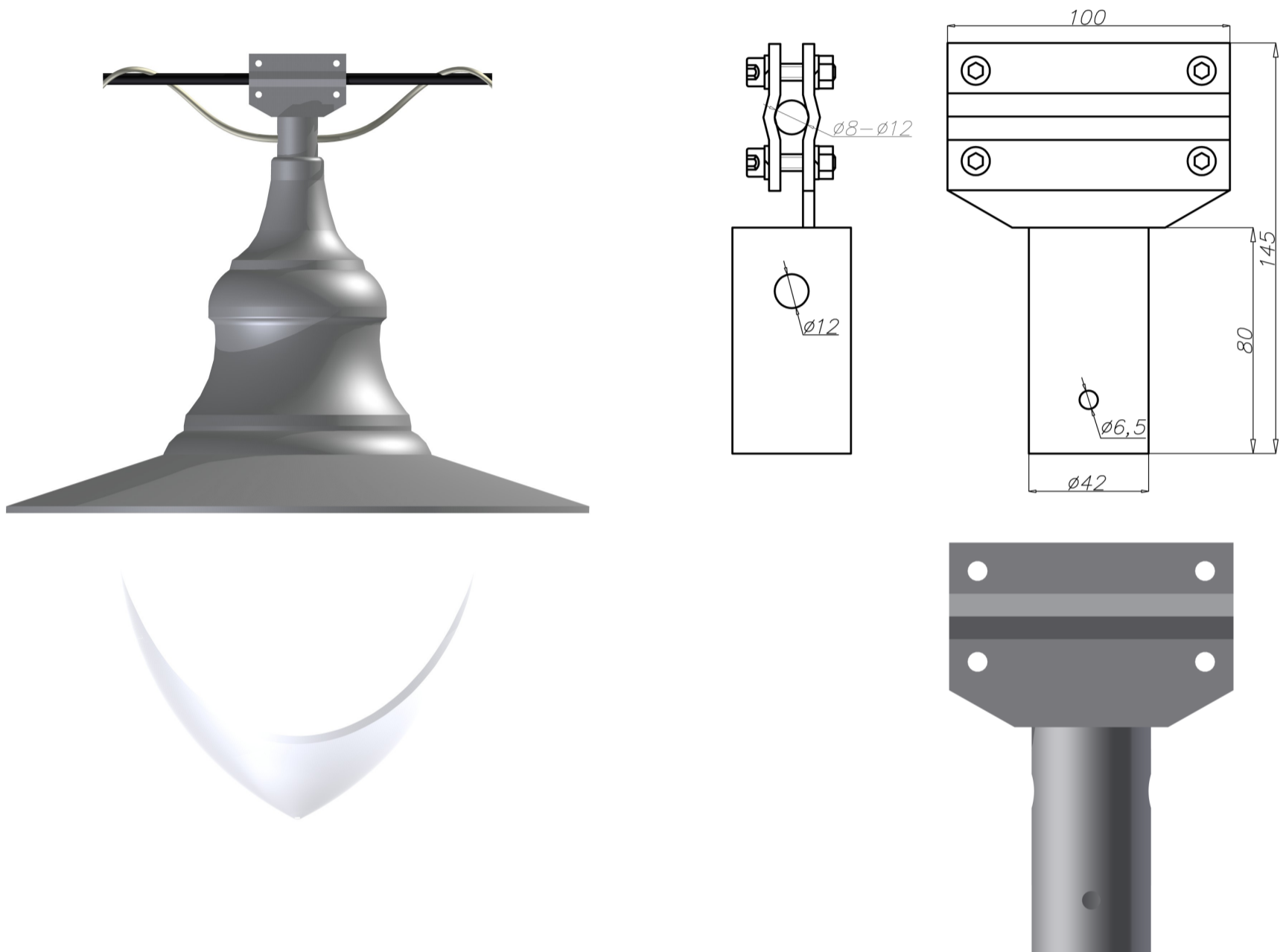


# Aluminium extension arm WA-0



## Technical data

Extension arm	Uchwyt WA -0
Product code	40270
Application	mounting on load-bearing catenary wires
Arm quantity	1
Net weight [kg]	0,4
Windage [m <sup>2</sup> ]	-
Volume [m <sup>3</sup> ]	0,001
Assembling diameter of luminaire $\varnothing$ [mm]	$\varnothing$ 42
Compatible luminaires	OW

- anodizing in 12 colours
- option of powder painting in RAL colours (other colours available on request)
- packing: sleeve material
- CE certificate valid for use on poles manufactured by ROSA company