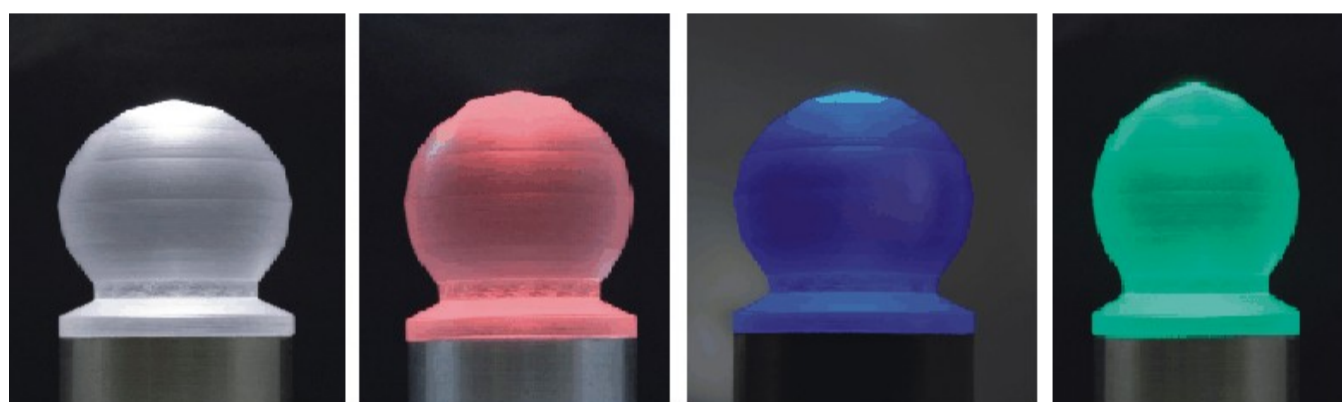


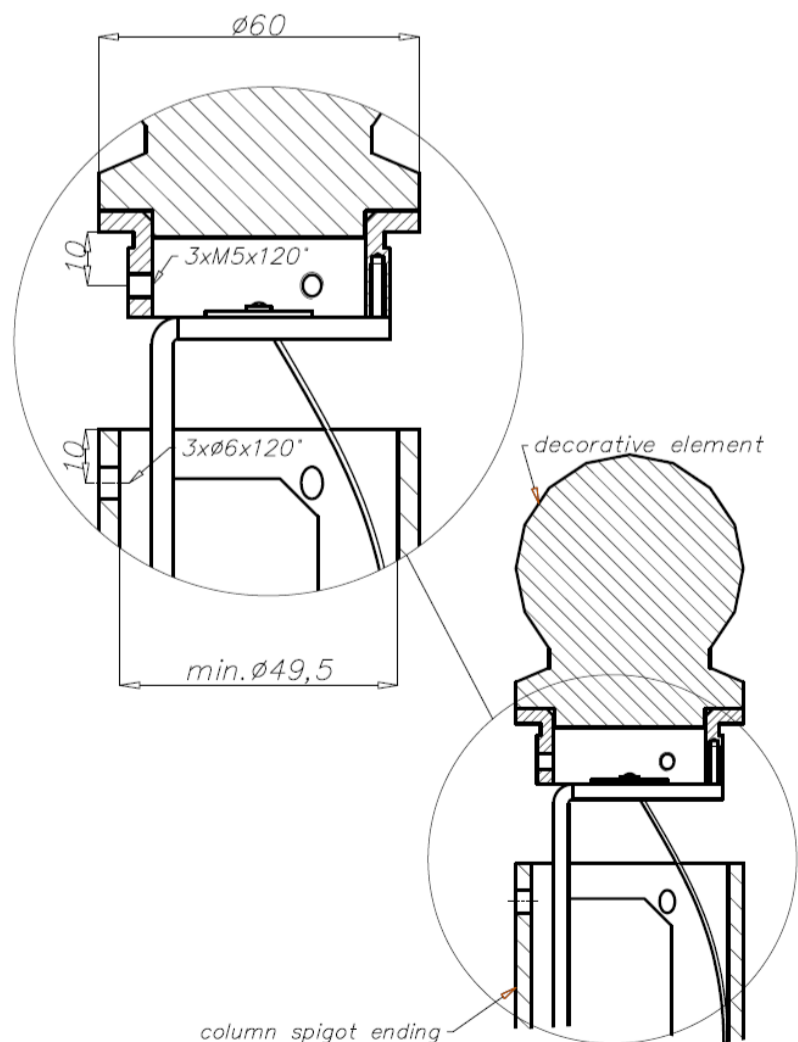
Technical data

Decorative element type		Shining ball	
Mounting diameter [mm]		Ø60	Ø76
Code	Blue	4030	4046
	Green	4031	4047
	Red	4032	4048
	White	4033	4049
Voltage		100-240V AC	
Frequency		50/60 HZ	
Insulation class		II	
Protection degree		IP 20	
Module LED		1xLED Cree XP-E, 350mA	
Material		PMMA	
Assembly		using 3 screws M5 , after making mounting holes in the column	
Net weight [kg]		0,4	
Volume [m ³]		0,001	



- Low Voltage Directive LVD 2006/95/WE, norm PN-EN 60598-1
- Directive EMC 2004/108/WE, norms: PN-EN 55015, PN-EN 61547, PN-EN 61000-3-2, PN-EN 61000-3-3

Way of mounting on the column spigot ending Ø60



Way of mounting on the column spigot ending Ø76

