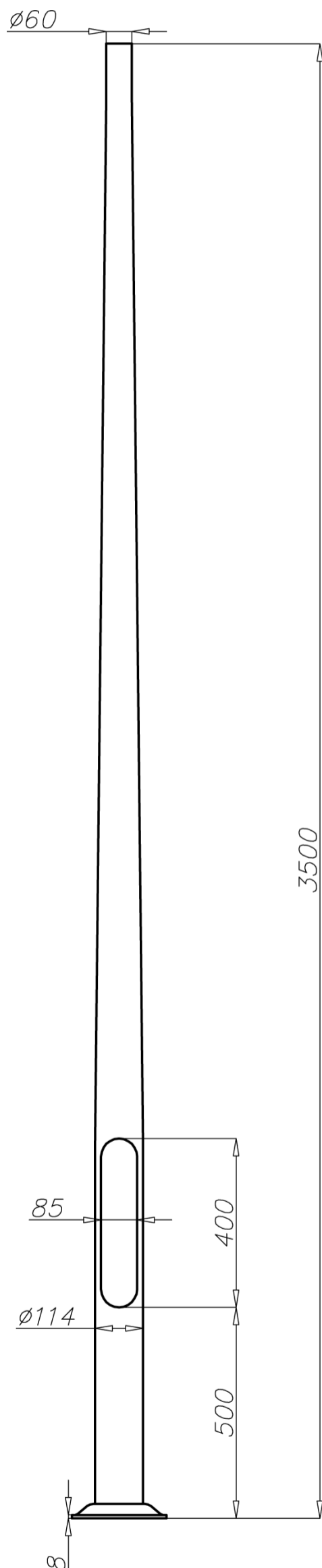


# Aluminium column SAL-3,5/B60

diameter 114 mm at the base plate



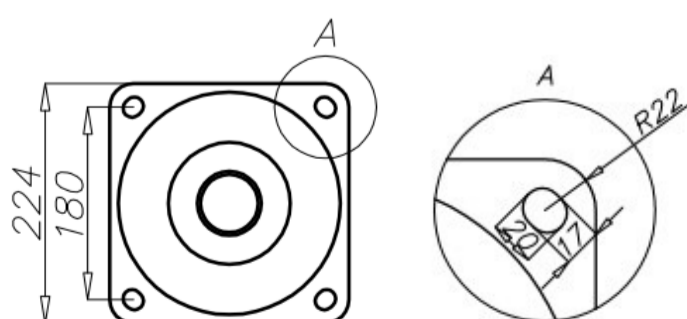
## Technical data

Aluminium Column	SAL-3,5/B60
Product code	42101
Column height H [m]	3,5
Wall thickness [mm]	3
Net weight [kg]	9,8
Volume [m <sup>3</sup> ]	0,078
Post top column	luminaires with $\varnothing 60$ spigot entry with weight and windage not exceeding data in resistance calculations
Compatible extension arms	according to resistance calculations
Concrete footing / reinforcement basket	B-50 / Z-50
Concrete footing code/reinforcement basket code	311150 / 311205
Hot galvanized nut set / Hot galvanized ripable nut set	4006 / 4007

## Resistance calculations

SAL-3,5/B60 code 42101		acceptable windage of single luminaire [m <sup>2</sup> ] for Cx=0,7			
		Vref. = 22 m/s	Vref. = 24 m/s	Vref. = 26 m/s	Vref. = 28 m/s
extension arm type	acceptable weight of single luminaire	I zone, II location category	I and III zone, II location category to 450m AMSL	II zone, II location category	III zone, II location category to 755m AMSL
WA-01	10	0,78	0,65	0,48	0,43
WA-1	10	0,80	0,68	0,50	0,45
WA-2	10	0,59	0,49	0,34	0,30
WA-3	10	0,51	0,43	0,32	0,28
WA-4	10	0,47	0,38	0,25	0,21
WA-5/1	10	0,32	0,26	0,17	0,15
WA-5/2	8	0,20	0,15	x	x
WA-8/1	10	0,39	0,31	0,21	0,18
WA-8/2	8	0,21	0,16	x	x
WA-11/1	10	0,36	0,28	0,18	0,15
WA-11/2	8	0,26	0,19	x	x
WA-14/1	10	0,39	0,31	0,21	0,18
WA-14/2	8	0,26	0,19	x	x

SAL-3,5/B60 code 42101		acceptable windage of luminaires and extension arms [m <sup>2</sup> ] for Cx=1			
		Vref. = 22 m/s	Vref. = 24 m/s	Vref. = 26 m/s	Vref. = 28 m/s
acceptable mass of luminaires and extension arms [kg]		I zone, II location category	I and III zone, II location category to 450m AMSL	II zone, II location category	III zone, II location category to 755m AMSL
20		0,68	0,58	0,45	0,41



- surface: polished aluminium
- anodizing in 12 colours
- option of powder painting in RAL colours (other colours available on request)
- elastomer protection option in the color of the column to a height of 350 mm (other height on request)
- ROSA standard wiring chamber
- packing: sleeve material