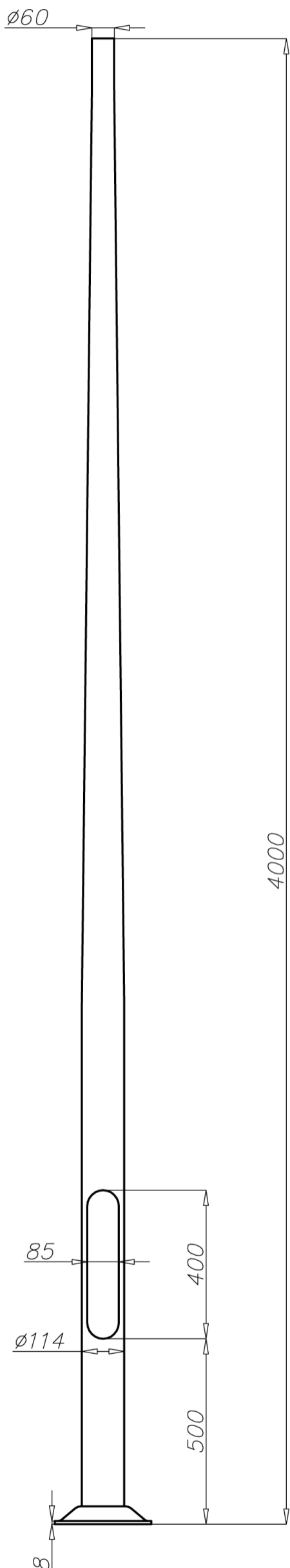


Aluminium column SAL-4/D60

diameter 114 mm at the base plate



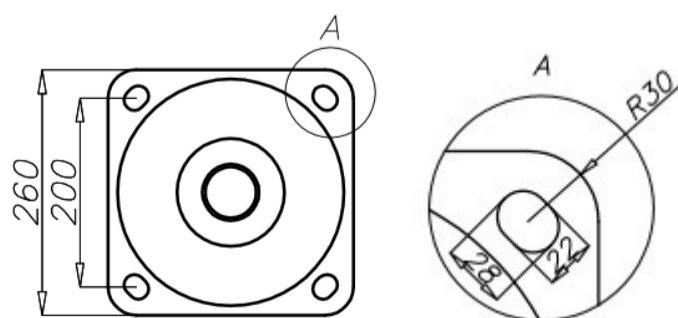
Technical data

Aluminium Column	SAL-4/D60
Product code	42115
Column height H [m]	4
Wall thickness [mm]	3
Net weight [kg]	11,7
Volume [m ³]	0,115
Post top column	luminaires with $\varnothing 60$ spigot entry with weight and windage not exceeding data in resistance calculations
Compatible extension arms	according to resistance calculations
Concrete footing / reinforcement basket	B-51 / Z-51
Concrete footing code/reinforcement basket code	311151 / 311251
Hot galvanized nut set /Hot galvanized ripable nut set	4008 / 4009

Resistance calculations

SAL-4/D60 code 42115		acceptable windage of single luminaire [m ²] for C _x =0,7			
		Vref. = 22 m/s	Vref. = 24 m/s	Vref. = 26 m/s	Vref. = 28 m/s
extension arm type	acceptable weight of single luminaire	I zone, II location category	I and III zone, II location category to 450 m AMSL	II zone, II location category	III zone, II location category to 755 m AMSL
WA-01	10	0,57	0,46	0,32	0,28
WA-1	10	0,59	0,48	0,34	0,30
WA-2	10	0,42	0,33	0,21	0,18
WA-3	10	0,39	0,32	0,22	0,19
WA-4	10	0,32	0,25	0,13	x
WA-5/1	10	0,23	0,18	x	x
WA-8/1	10	0,28	0,21	x	x
WA-11/1	10	0,25	0,18	x	x
WA-14/1	10	0,28	0,21	x	x

SAL-4/D60 code 42115		acceptable windage of luminaires and extension arms [m ²] for C _x =1			
		Vref. = 22 m/s	Vref. = 24 m/s	Vref. = 26 m/s	Vref. = 28 m/s
acceptable mass of luminaires and extension arms [kg]		I zone, II location category	I and III zone, II location category to 450 m AMSL	II zone, II location category	III zone, II location category to 755 m AMSL
20		0,51	0,43	0,32	0,29



- surface: polished aluminium
- anodizing in 12 colours
- option of powder painting in RAL colours (other colours available on request)
- elastomer protection option in the color of the column to a height of 350 mm (other height on request)
- ROSA standard wiring chamber
- packing: sleeve material