

# Aluminium column SAL-3/D60

diameter 114 mm at the base plate



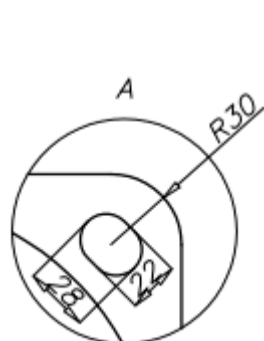
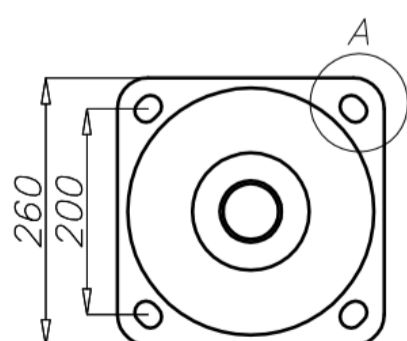
## Technical data

Aluminium Column	SAL-3/D60
Product code	42122
Column height H [m]	3
Wall thickness [mm]	3
Net weight [kg]	8,7
Volume [m <sup>3</sup> ]	0,087
Post top column	luminaires with $\varnothing 60$ spigot entry with weight and windage not exceeding data in resistance calculations
Compatible extension arms	according to resistance calculations
Concrete footing / reinforcement basket	B-51 / Z-51
Concrete footing code/reinforcement basket code	311151 / 311251
Hot galvanized nut set /Hot galvanized ripable nut set	4008 / 4009

## Resistance calculations

SAL-3/D60 code 42122		acceptable windage of single luminaire [m <sup>2</sup> ] for Cx=0,7			
		Vref. = 22 m/s	Vref. = 24 m/s	Vref. = 26 m/s	Vref. = 28 m/s
extension arm type	acceptable weight of single luminaire	I zone, II location category	I and III zone, II location category to 450m AMSL	II zone, II location category	III zone, II location category to 755m AMSL
WA-01	10	0,96	0,81	0,6	0,55
WA-1	10	0,99	0,83	0,63	0,57
WA-2	10	0,72	0,6	0,43	0,38
WA-3	10	0,59	0,50	0,38	0,34
WA-4	10	0,58	0,48	0,33	0,28
WA-5/1	10	0,38	0,31	0,22	0,19
WA-5/2	8	0,27	0,21	0,13	x
WA-8/1	10	0,47	0,38	0,26	0,23
WA-8/2	8	0,28	0,22	0,13	x
WA-11/1	10	0,43	0,35	0,23	0,20
WA-11/2	8	0,36	0,28	0,17	0,13
WA-14/1	10	0,47	0,38	0,26	0,23
WA-14/2	8	0,35	0,28	0,17	0,14

SAL-3/D60 code 42122		acceptable windage of luminaires and extension arms [m <sup>2</sup> ] for Cx=1			
		Vref. = 22 m/s	Vref. = 24 m/s	Vref. = 26 m/s	Vref. = 28 m/s
acceptable mass of luminaires and extension arms [kg]		I zone, II location category	I and III zone, II location category to 450m AMSL	II zone, II location category	III zone, II location category to 755m AMSL
20		0,83	0,78	0,56	0,51



- surface: polished aluminium
- anodizing in 12 colours
- option of powder painting in RAL colours (other colours available on request)
- elastomer protection option in the color of the column to a height of 350 mm (other height on request)
- ROSA standard wiring chamber
- packing: sleeve material

