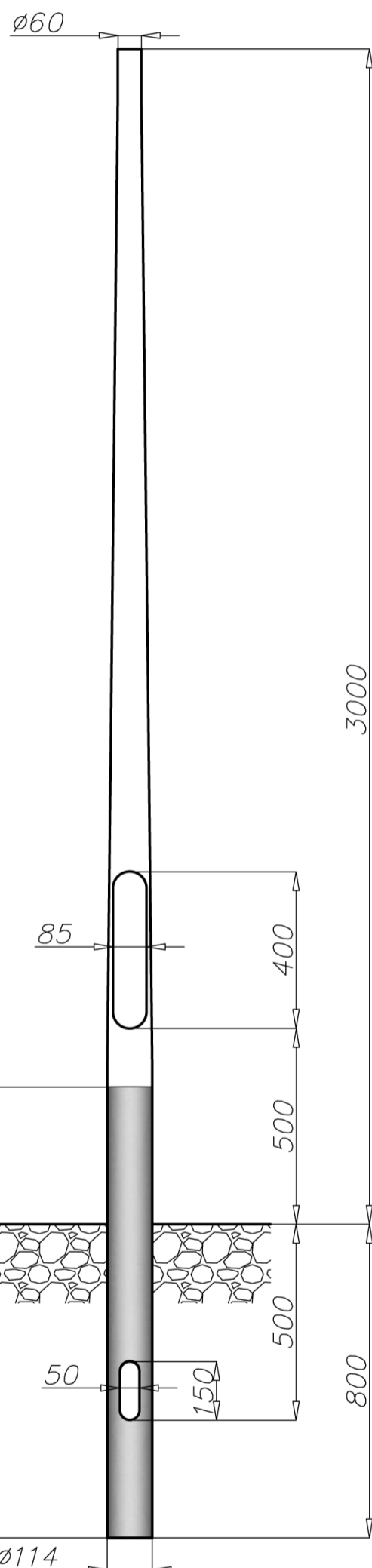


Aluminium column SAL-3/B60 dz

diameter 114 mm at ground level



Technical data

Aluminium Column	SAL-3/B60 dz
Product code	42124
Column height H [m]	3
Wall thickness [mm]	3
Net weight [kg]	9,8
Volume [m ³]	0,024
Post top column	luminaires with $\varnothing 60$ spigot entry with weight and windage not exceeding data in resistance calculations
Compatible extension arms	according to resistance calculations
Rooted section h [m]	0,8

Resistance calculations

SAL-3/B60 dz code 42124		acceptable windage of luminaires and extension arms [m ²] for C _x =1			
		Vref. = 22 m/s	Vref. = 24 m/s	Vref. = 26 m/s	Vref. = 28 m/s
extension arm type	acceptable weight of single luminaire	I zone, II location category	I and III zone, II location category to 450 m AMSL	II zone, II location category	III zone, II location category to 755 m AMSL
WA-01	10	0,96	0,81	0,61	0,54
WA-1	10	0,99	0,84	0,63	0,57
WA-2	10	0,72	0,6	0,43	0,38
WA-3	10	0,56	0,50	0,38	0,34
WA-4	10	0,58	0,48	0,33	0,28
WA-5/1	10	0,35	0,30	0,22	0,19
WA-5/2	8	0,27	0,21	0,13	x
WA-8/1	10	0,47	0,38	0,26	0,23
WA-8/2	8	0,28	0,22	0,13	x
WA-11/1	10	0,32	0,28	0,21	0,19
WA-11/2	8	0,36	0,28	0,17	0,13
WA-14/1	10	0,39	0,34	0,26	0,23
WA-14/2	8	0,35	0,28	0,17	0,14

SAL-3/B60 dz code 42124		acceptable windage of luminaires and extension arms [m ²] for C _x =1			
		Vref. = 22 m/s	Vref. = 24 m/s	Vref. = 26 m/s	Vref. = 28 m/s
acceptable mass of luminaires and extension arms [kg]		I zone, II location category	I and III zone, II location category to 450 m AMSL	II zone, II location category	III zone, II location category to 755 m AMSL
20		0,83	0,72	0,56	0,51

- surface: polished aluminium
- anodizing in 12 colours
- option of powder painting in RAL colours (other colours available on request)
- elastomer protection in the color of the column to a height of 350 mm (other height on request)
- ROSA standard wiring chamber
- packing: sleeve material