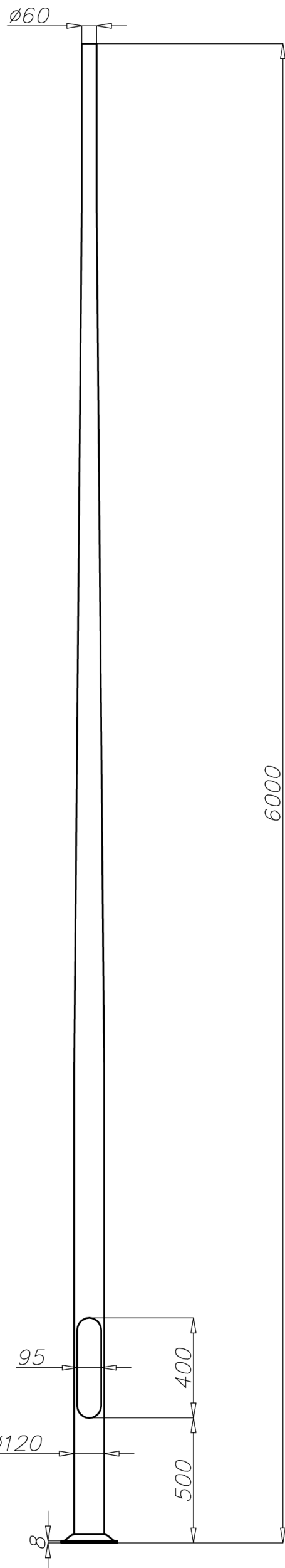


Aluminium column SAL-6

diameter 120 mm at the base plate



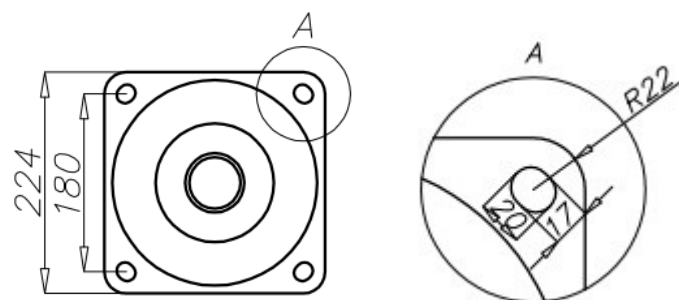
Technical data

Aluminium Column	SAL-6
Product code	42207
Column height H [m]	6
Wall thickness [mm]	4
Net weight [kg]	21,1
Volume [m ³]	0,134
Post top column	luminaires with $\varnothing 60$ spigot entry with weight and windage not exceeding data in resistance calculations
Compatible extension arms	according to resistance calculations
Concrete footing / reinforcement basket	B-50 / Z-50
Concrete footing code/reinforcement basket code	311150 / 311205
Hot galvanized nut set /Hot galvanized ripable nut set	4006 / 4007

Resistance calculations

SAL-6		acceptable windage of single luminaire [m ²] for Cx=0,7			
Code 42207		Vref. = 22 m/s	Vref. = 24 m/s	Vref. = 26 m/s	Vref. = 28 m/s
extension arm type	acceptable weight of single luminaire	I zone, II location category	I and III zone, II location category to 450m AMSL	II zone, II location category	III zone, II location category to 755m AMSL
WA-01	10	0,26	0,18	x	x
WA-1	10	0,28	0,20	x	x
WA-2	10	0,17	x	x	x
WA-3	10	0,22	0,15	x	x
WA-5/1	10	0,15	x	x	x
WA-8/1	10	0,17	x	x	x
WA-14/1	10	0,18	x	x	x
WN-1	15	0,22(Cx=1)	0,16(Cx=1)	x	x

SAL-6		acceptable windage of luminaires and extension arms [m ²] for Cx=1			
code 42207		Vref. = 22 m/s	Vref. = 24 m/s	Vref. = 26 m/s	Vref. = 28 m/s
acceptable mass of luminaires and extension arms [kg]		I zone, II location category	I and III zone, II location category to 450m AMSL	II zone, II location category	III zone, II location category to 755m AMSL
20		0,26	0,20	0,13	0,1



- surface: polished aluminium
- anodizing in 12 colours
- option of powder painting in RAL colours (other colours available on request)
- elastomer protection option in the color of the column to a height of 350 mm (other height on request)
- ROSA standard wiring chamber
- packing: sleeve material