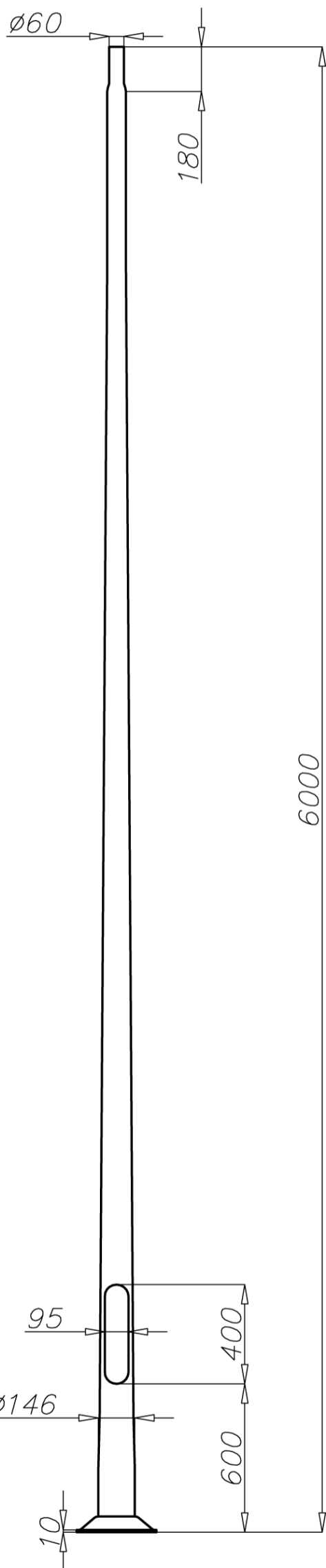


Aluminium column SAL-60

diameter 146 mm at the base plate



Technical data

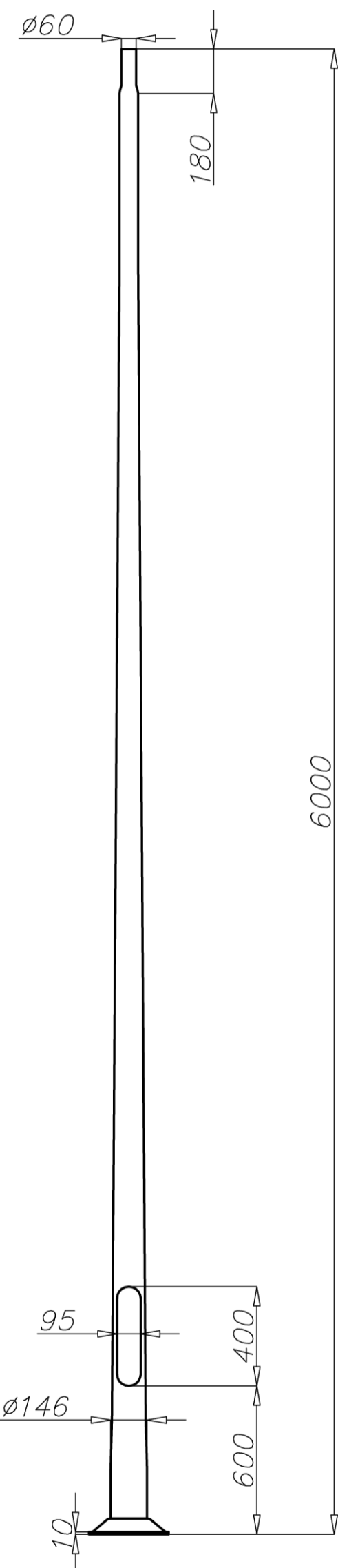
Aluminium Column	SAL-60
Product code	42313
Column height H [m]	6
Wall thickness [mm]	4,2
Net weight [kg]	25,4
Volume [m ³]	0,265
Post top column	luminaires with $\varnothing 60$ spigot entry with weight and windage not exceeding data in resistance calculations
Compatible extension arms	according to resistance calculations
Concrete footing / reinforcement basket	B-60 / Z-60
Concrete footing code/reinforcement basket code	311160 / 311206
Hot galvanized nut set /Hot galvanized ripable nut set	4008 / 4009

Resistance calculations

SAL-60 code 42313		acceptable windage of single luminaire [m ²] for $C_x=0,7$			
		Vref. = 22 m/s	Vref. = 24 m/s	Vref. = 26 m/s	Vref. = 28 m/s
extension arm type	acceptable weight of single luminaire	I zone, II location category	I and III zone, II location category to 450m AMSL	II zone, II location category	III zone, II location category to 755m AMSL
WA-01	10	0,86	0,69	0,48	0,42
WA-1	10	0,88	0,71	0,5	0,44
WA-2	10	0,71	0,56	0,37	0,31
WA-3	10	0,76	0,61	0,42	0,36
WA-4	10	0,6	0,46	0,29	0,23
WA-5/1	10	0,63	0,51	0,35	0,29
WA-5/2	8	0,25	0,18	x	x
WA-8/1	10	0,71	0,56	0,37	0,31
WA-8/2	8	0,25	0,18	x	x
WA-11/1	10	0,7	0,56	0,37	0,32
WA-11/2	8	0,28	0,20	x	x
WA-14/1	10	0,72	0,58	0,4	0,34
WA-14/2	8	0,29	0,21	x	x
WA-15/1 P	10	0,75	0,61	0,42	0,36
WA-15/1 U	15	0,54	0,43	0,27	0,22
WA-15/2	8/15	0,24	0,17	x	x
WA-20/1	10	0,43	0,32	0,17	0,13
WR-1/1	15	0,79	0,66	0,46	0,40
WR-1/2	15	0,34	0,27	0,17	0,15
WR-2/1	15	0,56	0,46	0,31	0,27
WR-2/2	15	0,27	0,20	x	x
WR-2/3	15	0,19	0,14	x	x
WR-3/1	15	0,52	0,42	0,29	0,25
WR-3/2	15	0,26	0,20	x	x
WR-3/3	15	0,19	0,14	x	x

Aluminium column SAL-60

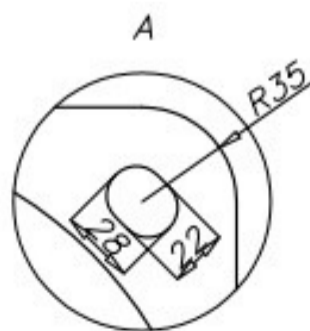
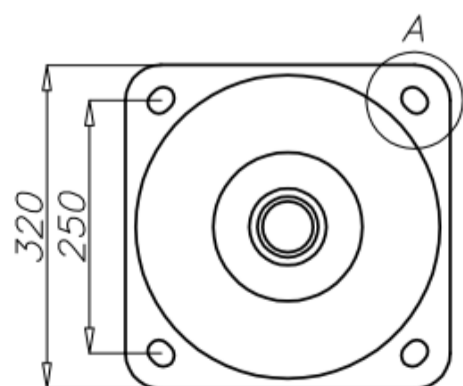
diameter 146 mm at the base plate



Resistance calculations

SAL-60 code 42313		acceptable windage of single luminaire [m ²] for C _x =0,7			
		Vref. = 22 m/s	Vref. = 24 m/s	Vref. = 26 m/s	Vref. = 28 m/s
extension arm type	acceptable weight of single luminaire	I zone, II location category	I and III zone, II location category to 450m AMSL	II zone, II location category	III zone, II location category to 755m AMSL
WR-4/1	15	0,73	0,61	0,44	0,38
WR-4/2	15	0,34	0,27	0,17	0,15
WR-5A/1	15	0,58	0,47	0,32	0,27
WR-5A/2	15	0,24	0,18	x	x
WR-6A/1	15	0,7	0,57	0,39	0,34
WR-8/1	15	0,4	0,29	0,15	x
WR-8A/1	15	0,59	0,48	0,33	0,28
WR-9/1	15	0,38	0,27	0,13	x
WR-12/1	15	0,42	0,31	0,17	0,13
WR-13/1	15	0,58	0,46	0,3	0,26
WR-13/2	15	0,24	0,17	x	x
WR-13/3	15	0,17	x	x	x
WR-14/1	15	0,47	0,37	0,25	0,21
WR-15/1	15	0,56	0,45	0,3	0,26
WR-15/2	15	0,28	0,20	x	x
WR-17/1	10	0,25	0,17	x	x
WR-18	15	0,31	0,23	x	x
WR-18A	15	0,23	0,15	x	x
WR-18B	15	0,16	x	x	x
WR-31	15	0,26	0,17	x	x
WR-61	15	0,32	0,23	x	x
WN-1	15	0,64 (C _x =1)	0,52 (C _x =1)	0,37 (C _x =1)	0,33 (C _x =1)
WN-2	15	0,29 (C _x =1)	0,23 (C _x =1)	0,16 (C _x =1)	0,14 (C _x =1)
WN-21	15	0,27 (C _x =1)	0,22 (C _x =1)	0,15 (C _x =1)	0,13 (C _x =1)

SAL-60 code 42313		acceptable windage of luminaires and extension arms [m ²] for C _x =1			
		Vref. = 22 m/s	Vref. = 24 m/s	Vref. = 26 m/s	Vref. = 28 m/s
acceptable mass of luminaires and extension arms [kg]		I zone, II location category	I and III zone, II location category to 450m AMSL	II zone, II location category	III zone, II location category to 755m AMSL
30		0,66	0,54	0,40	0,35



- surface: polished aluminium
- anodizing in 12 colours
- option of powder painting in RAL colours (other colours available on request)
- elastomer protection option in the color of the column to a height of 350 mm (other height on request)
- ROSA standard wiring chamber
- packing: sleeve material