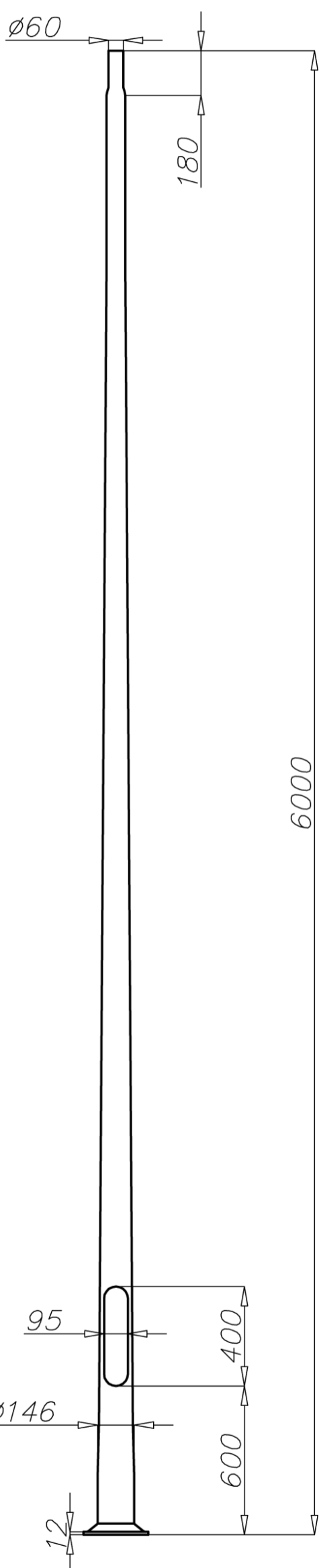


Aluminium column SAL-60G

diameter 146 mm at the base plate



Technical data

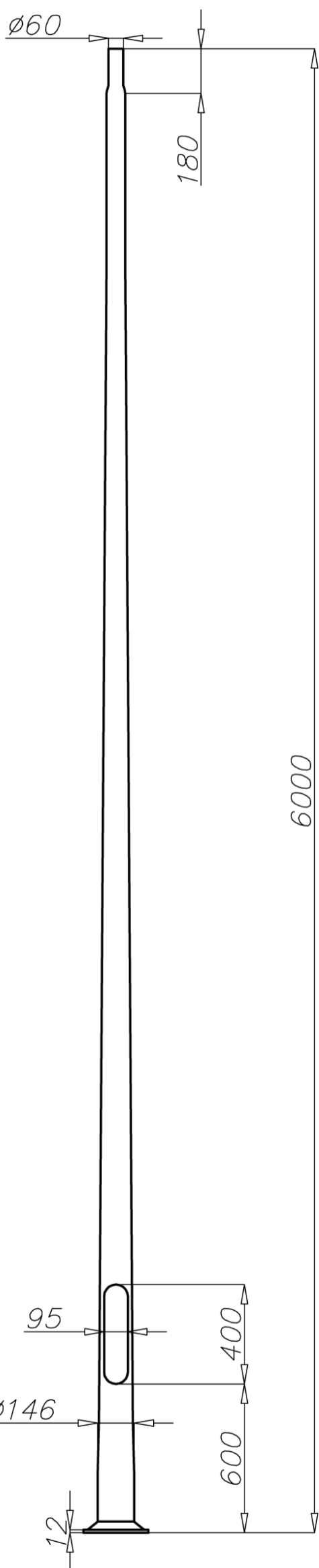
Aluminium Column	SAL-60G
Product code	42343
Column height H [m]	6
Wall thickness [mm]	4,2
Net weight [kg]	24,8
Volume [m ³]	0,186
Post top column	luminaires with $\varnothing 60$ spigot entry with weight and windage not exceeding data in resistance calculations
Compatible extension arms	according to resistance calculations
Concrete footing / reinforcement basket	B-51A / Z-51A
Concrete footing code/reinforcement basket code	311151A / 311251A
Hot galvanized nut set /Hot galvanized ripable nut set	4008 / 4009

Resistance calculations

SAL-60G code 42343		acceptable windage of single luminaire [m ²] for Cx=0,7			
		Vref. = 22 m/s	Vref. = 24 m/s	Vref. = 26 m/s	Vref. = 28 m/s
extension arm type	acceptable weight of single luminaire	I zone, II location category	I and III zone, II location category to 450m AMSL	II zone, II location category	III zone, II location category to 755m AMSL
WA-01	10	0,83	0,67	0,46	0,40
WA-1	10	0,85	0,69	0,48	0,42
WA-2	10	0,68	0,54	0,35	0,30
WA-3	10	0,73	0,59	0,4	0,35
WA-4	10	0,58	0,45	0,27	0,22
WA-5/1	10	0,63	0,51	0,34	0,28
WA-5/2	8	0,24	0,17	x	x
WA-8/1	10	0,69	0,54	0,35	0,29
WA-8/2	8	0,24	0,17	x	x
WA-11/1	10	0,7	0,56	0,37	0,32
WA-11/2	8	0,27	0,18	x	x
WA-14/1	10	0,72	0,58	0,39	0,32
WA-14/2	8	0,27	0,20	0,13	0,32
WA-15/1 P	10	0,75	0,61	0,41	0,35
WA-15/1 U	15	0,54	0,42	0,26	0,21
WA-15/2	8/15	0,23	0,16	x	x
WA-20/1	10	0,43	0,32	0,17	x
WR-1/1	15	0,78	0,64	0,44	0,39
WR-1/2	15	0,32	0,26	0,17	0,14
WR-2/1	15	0,56	0,46	0,31	0,27
WR-2/2	15	0,26	0,19	x	x
WR-3/1	15	0,52	0,42	0,29	0,25
WR-3/2	15	0,25	0,19	x	x

Aluminium column SAL-60G

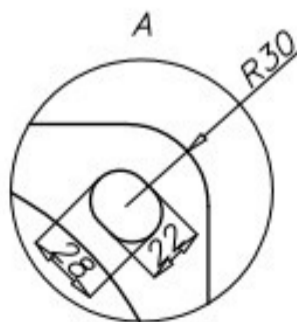
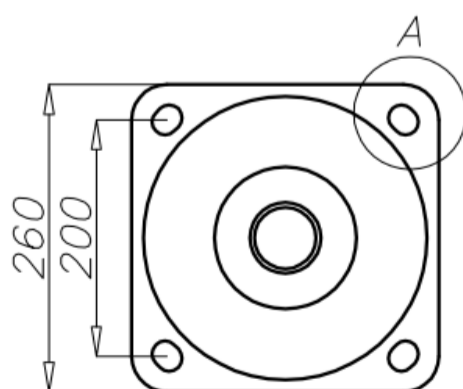
diameter 146 mm at the base plate



Resistance calculations

SAL-60G code 42343		acceptable windage of single luminaire [m^2] for $C_x=0,7$			
		Vref. = 22 m/s	Vref. = 24 m/s	Vref. = 26 m/s	Vref. = 28 m/s
extension arm type	acceptable weight of single luminaire	I zone, II location category	I and III zone, II location category to 450m AMSL	II zone, II location category	III zone, II location category to 755m AMSL
WR-4/1	15	0,73	0,61	0,43	0,38
WR-4/2	15	0,33	0,26	0,17	0,14
WR-5A/1	15	0,58	0,47	0,31	0,26
WR-5A/2	15	0,23	0,17	x	x
WR-6A/1	15	0,68	0,55	0,37	0,32
WR-8/1	15	0,38	0,28	0,14	x
WR-8A/1	15	0,59	0,48	0,32	0,27
WR-9/1	15	0,36	0,26	x	x
WR-12/1	15	0,4	0,29	0,16	x
WR-13/1	15	0,58	0,46	0,3	0,25
WR-13/2	15	0,23	0,16	x	x
WR-14/1	15	0,47	0,37	0,25	0,21
WR-15/1	15	0,56	0,45	0,3	0,26
WR-15/2	15	0,27	0,19	x	x
WR-17/1	10	0,25	0,17	0,13	0,26
WR-18	15	0,31	0,23	x	x
WR-18A	15	0,23	0,15	x	x
WR-18B	15	0,16	x	x	x
WR-31	15	0,26	0,17	x	x
WR-61	15	0,32	0,23	x	x
WN-1	15	0,62 (Cx=1)	0,51 (Cx=1)	0,36 (Cx=1)	0,32 (Cx=1)
WN-2	15	0,28 (Cx=1)	0,23 (Cx=1)	0,16 (Cx=1)	0,14 (Cx=1)
WN-21	15	0,26 (Cx=1)	0,21 (Cx=1)	0,14 (Cx=1)	x

SAL-60G code 42343		acceptable windage of luminaires and extension arms [m^2] for $C_x=1$			
		Vref. = 22 m/s	Vref. = 24 m/s	Vref. = 26 m/s	Vref. = 28 m/s
acceptable mass of luminaires and extension arms [kg]		I zone, II location category	I and III zone, II location category to 450m AMSL	II zone, II location category	III zone, II location category to 755m AMSL
30		0,64	0,53	0,38	0,34



- surface: polished aluminium
- anodizing in 12 colours
- option of powder painting in RAL colours (other colours available on request)
- elastomer protection option in the color of the column to a height of 350 mm (other height on request)
- ROSA standard wiring chamber
- packing: sleeve material