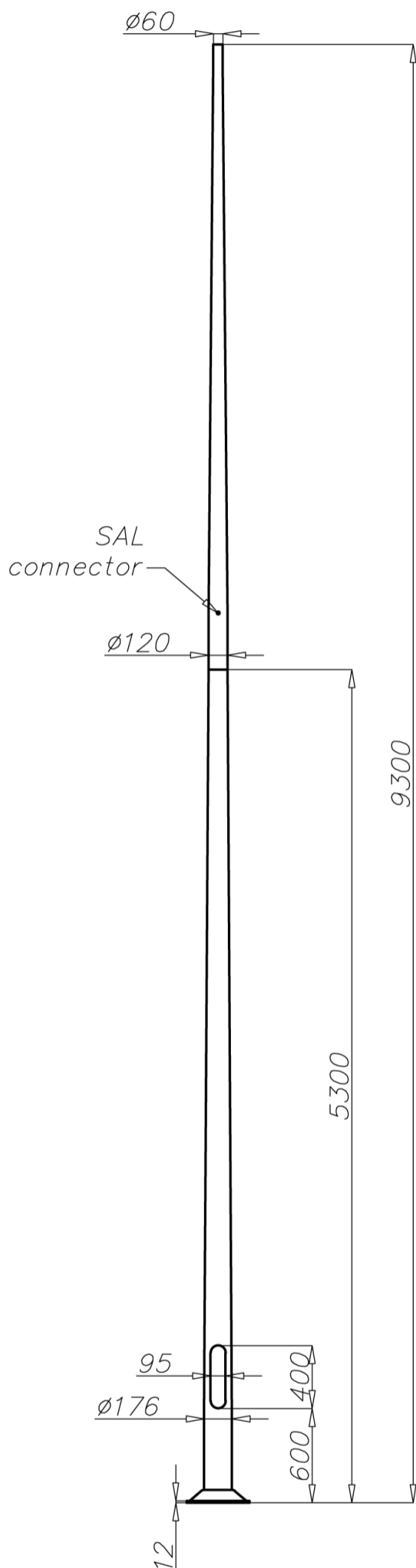


Aluminium column SAL-9,3

diameter 176 mm at the base plate



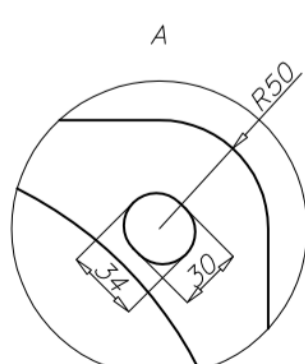
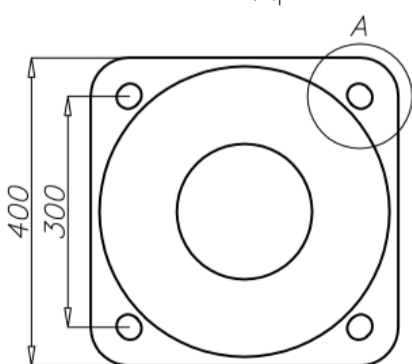
Technical data

Aluminium Column	SAL-9,3
Product code	42456
Column height H [m]	9,3
Height of the bottom part h1 + E [m]	5,3 + 0,35
Thickness wall of bottom part [mm]	4,3
Height of upper part h2 [m]	4
Thickness wall of upper part [mm]	4
Net weight [kg]	47,6
Volume [m ³]	0,437
Post top column	luminaires with $\varnothing 60$ spigot entry with weight and windage not exceeding data in resistance calculations
Compatible extension arms	according to resistance calculations
Concrete footing / reinforcement basket	B-70 / Z-70
Concrete footing code/reinforcement basket code	311170 / 311207
Hot galvanized nut set /Hot galvanized ripable nut set	4012 / 4013

Resistance calculations

SAL-9,3 code 42456		acceptable windage of single luminaire [m ²] for Cx=0,7			
		Vref. = 22 m/s	Vref. = 24 m/s	Vref. = 26 m/s	Vref. = 28 m/s
extension arm type	acceptable weight of single luminaire	I zone, II location category	I and III zone, II location category to 450m AMSL	II zone, II location category	III zone, II location category to 755m AMSL
WR-1/1	15	0,6	0,48	0,31	0,27
WR-1/2	15	0,26	0,20	x	x
WR-2/1	15	0,46	0,35	0,21	0,17
WR-2/2	15	0,2	0,13	x	x
WR-3/1	15	0,43	0,33	0,2	0,16
WR-3/2	15	0,19	0,13	x	x
WR-4/1	15	0,57	0,45	0,29	0,25
WR-4/2	15	0,26	0,20	x	x
WR-13/1	15	0,43	0,31	0,16	x
WR-15/1	15	0,44	0,33	0,18	0,14
WR-15/2	15	0,19	0,13	x	x
WR-61	15	0,22	0,14	x	x
WN-1	15	0,51 (Cx=1)	0,41 (Cx=1)	0,28 (Cx=1)	0,25 (Cx=1)
WN-2	15	0,23 (Cx=1)	0,18 (Cx=1)	x	x
WN-21	15	0,21 (Cx=1)	0,16 (Cx=1)	x	x

SAL-9,3 code 42456		acceptable windage of luminaires and extension arms [m ²] for Cx=1			
		Vref. = 22 m/s	Vref. = 24 m/s	Vref. = 26 m/s	Vref. = 28 m/s
acceptable mass of luminaires and extension arms [kg]		I zone, II location category	I and III zone, II location category to 450m AMSL	II zone, II location category	III zone, II location category to 755m AMSL
30		0,52	0,42	0,30	0,26



- surface: polished aluminium
- anodizing in 12 colours
- option of powder painting in RAL colours (other colours available on request)
- elastomer protection option in the color of the column to a height of 350 mm (other height on request)
- ROSA standard wiring chamber
- packing: sleeve material