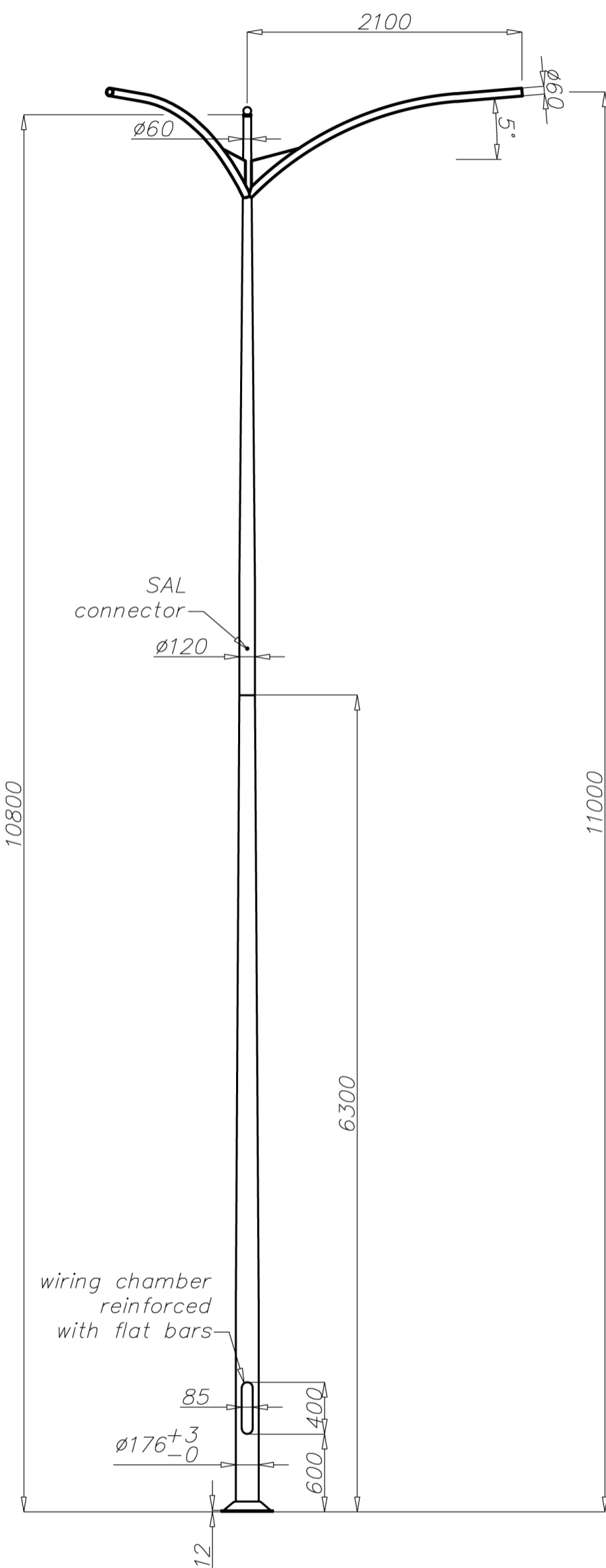


Aluminium column SAL-T3 wzm

diameter 176 mm at the base plate

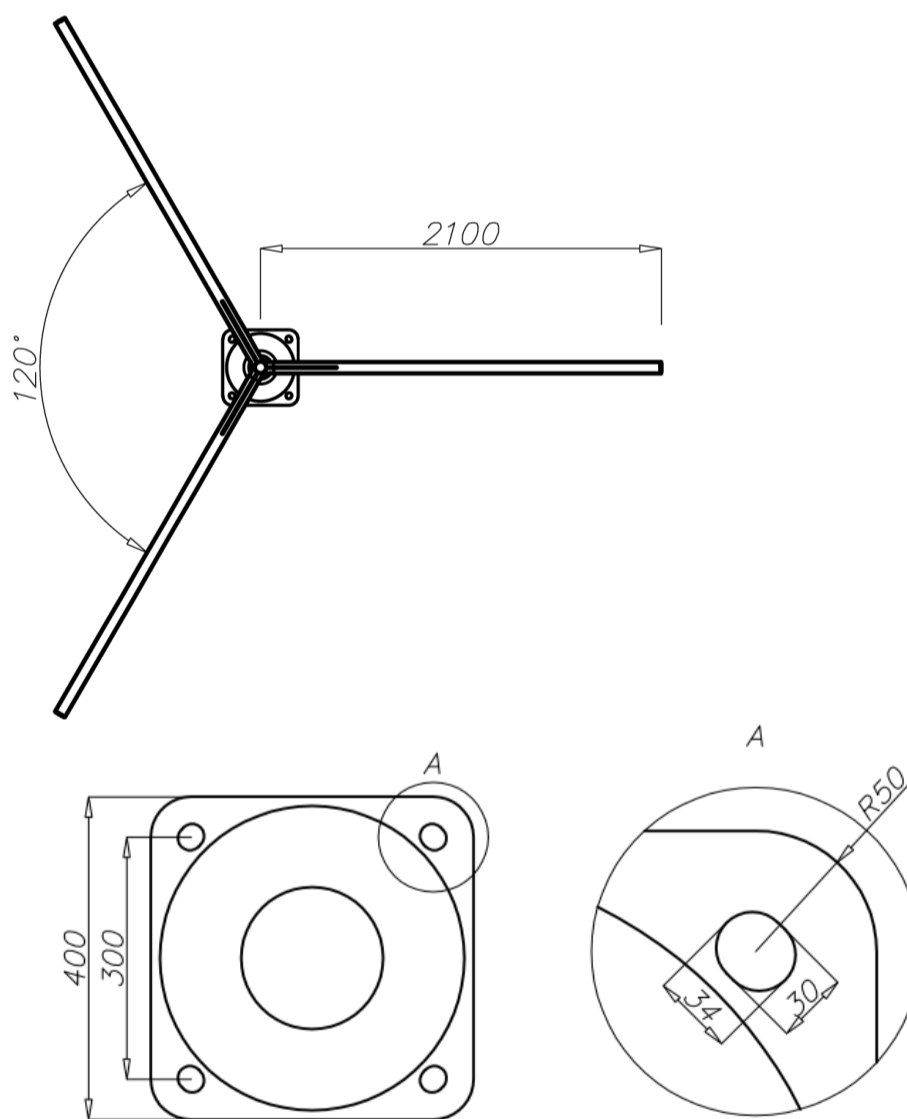


Technical data

Aluminium Column	SAL-T3 wzm
Product code	42468
Column height H [m]	11
Wall thickness [mm]	5,2
Net weight [kg]	77,1
Volume [m ³]	2,11
Post top column	luminaires with $\varnothing 60$ spigot entry with weight and windage not exceeding data in resistance calculations
Concrete footing / reinforcement basket	B-70 / Z-70
Concrete footing code/reinforcement basket code	311170 / 311207
Hot galvanized nut set /Hot galvanized ripable nut set	4012 / 4013

Resistance calculations

SAL-T3 wzm code 42468	acceptable windage of single luminaire [m ²] for C _x =0,7			
	Vref. = 22 m-s	Vref. = 24 m-s	Vref. = 26 m-s	Vref. = 28 m-s
acceptable mass of a single luminaire [kg]	I zone, II location category	I and III zone, II location category to 450m AMSL	II zone, II location category	III zone, II location category to 755m AMSL
15	0,19	0,12	x	x



- surface: polished aluminium
- anodizing in 12 colours
- option of powder painting in RAL colours (other colours available on request)
- elastomer protection option in the color of the column to a height of 350 mm (other height on request)
- ROSA standard wiring chamber
- packing: sleeve material