

Aluminium column SAL-11,8 wzm

diameter 176 mm at the base plate



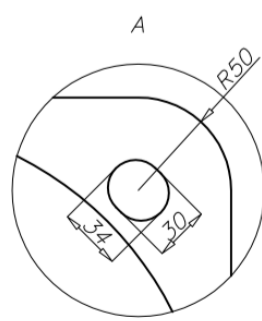
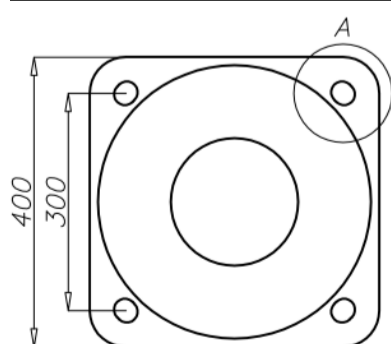
Technical data

Aluminium Column	SAL-11,8 wzm
Product code	42471
Column height H [m]	11,8
Height of the bottom part h1 + E [m]	6,8 + 0,35
Thickness wall of bottom part [mm]	5,2
Height of upper part h2 [m]	5
Thickness wall of upper part [mm]	4
Net weight [kg]	67,8
Volume [m ³]	0,55
Post top column	luminaires with $\varnothing 60$ spigot entry with weight and windage not exceeding data in resistance calculations
Compatible extension arms	according to resistance calculations
Concrete footing / reinforcement basket	B-70 / Z-70
Concrete footing code/reinforcement basket code	311170 / 311207
Hot galvanized nut set /Hot galvanized ripable nut set	4012 / 4013

Resistance calculations

SAL-11,8 wzm code 42471		acceptable windage of single luminaire [m ²] for C _x =0,7			
		Vref. = 22 m/s	Vref. = 24 m/s	Vref. = 26 m/s	Vref. = 28 m/s
extension arm type	acceptable weight of single luminaire	I zone, II location category	I and III zone, II location category to 450m AMSL	II zone, II location category	III zone, II location category to 755m AMSL
WR-1/1	15	0,57	0,44	0,28	0,23
WR-1/2	15	0,22	0,16	x	x
WR-2/1	15	0,47	0,34	0,19	0,15
WR-3/1	15	0,46	0,33	0,18	0,14
WR-4/1	15	0,56	0,42	0,26	0,22
WR-4/2	15	0,22	0,15	x	x
WR-13/1	15	0,42	0,28	x	x
WR-15/1	15	0,44	0,31	0,15	x
WR-61	15	0,26	0,15	x	x
WN-1	15	0,46 (C _x =1)	0,36 (C _x =1)	0,24 (C _x =1)	0,2 (C _x =1)
WN-2	15	0,2 (C _x =1)	0,15 (C _x =1)	x	x
WN-21	15	0,18 (C _x =1)	0,13 (C _x =1)	x	x

SAL-11,8 wzm code 42471		acceptable windage of luminaires and extension arms [m ²] for C _x =1			
		Vref. = 22 m/s	Vref. = 24 m/s	Vref. = 26 m/s	Vref. = 28 m/s
acceptable mass of luminaires and extension arms [kg]		I zone, II location category	I and III zone, II location category to 450m AMSL	II zone, II location category	III zone, II location category to 755m AMSL
30		0,45	0,36	0,24	0,21



- surface: polished aluminium
- anodizing in 12 colours
- option of powder painting in RAL colours (other colours available on request)
- elastomer protection option in the color of the column to a height of 350 mm (other height on request)
- ROSA standard wiring chamber
- packing: sleeve material

