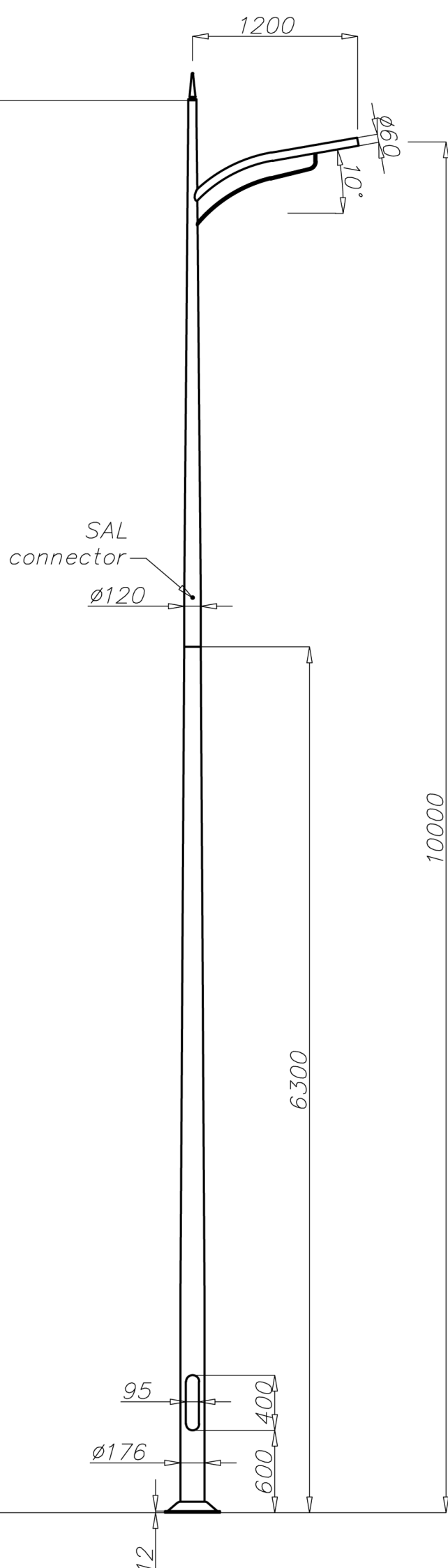


Aluminium column SAL-P21

diameter 176 mm at the base plate



Technical data

Aluminium Column	SAL-P21
Product code	42483
Column height H [m]	10,3
Wall thickness [mm]	4,3
Net weight [kg]	57,1
Volume [m ³]	0,98
Post top column	luminaires with $\varnothing 60$ spigot entry with weight and windage not exceeding data in resistance calculations
Concrete footing / reinforcement basket	B-70 / Z-70
Concrete footing code/reinforcement basket code	311170 / 311207
Hot galvanized nut set / Hot galvanized ripable nut set	4012 / 4013

Resistance calculations

SAL-P21 code 42483	acceptable windage of single luminaire [m ²] for $C_x=0,7$			
	Vref. = 22 m-s	Vref. = 24 m-s	Vref. = 26 m-s	Vref. = 28 m-s
acceptable mass of a single luminaire [kg]	I zone, II location category	I and III zone, II location category to 450m AMSL	II zone, II location category	III zone, II location category to 755m AMSL
15	0,53	0,4	0,24	0,2

- surface: polished aluminium
- anodizing in 12 colours
- option of powder painting in RAL colours (other colours available on request)
- elastomer protection option in the color of the column to a height of 350 mm (other height on request)
- ROSA standard wiring chamber
- packing: sleeve material

