

Aluminium column MAL-13 wzm

diameter 225 mm at the base plate

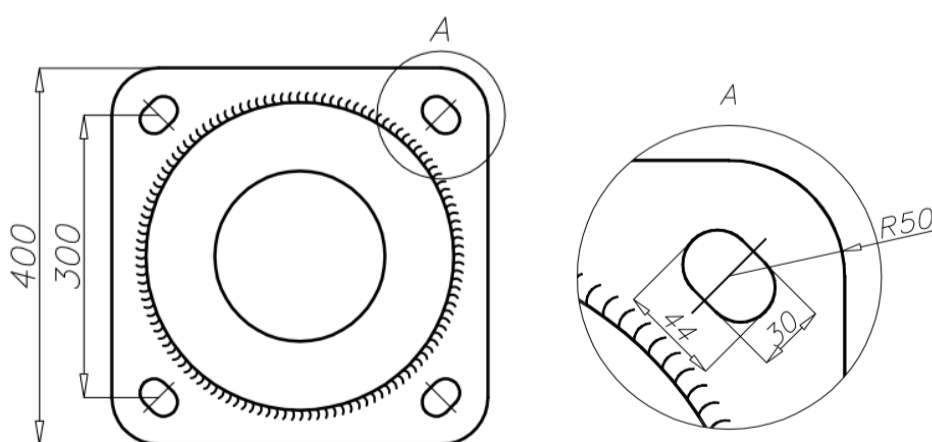
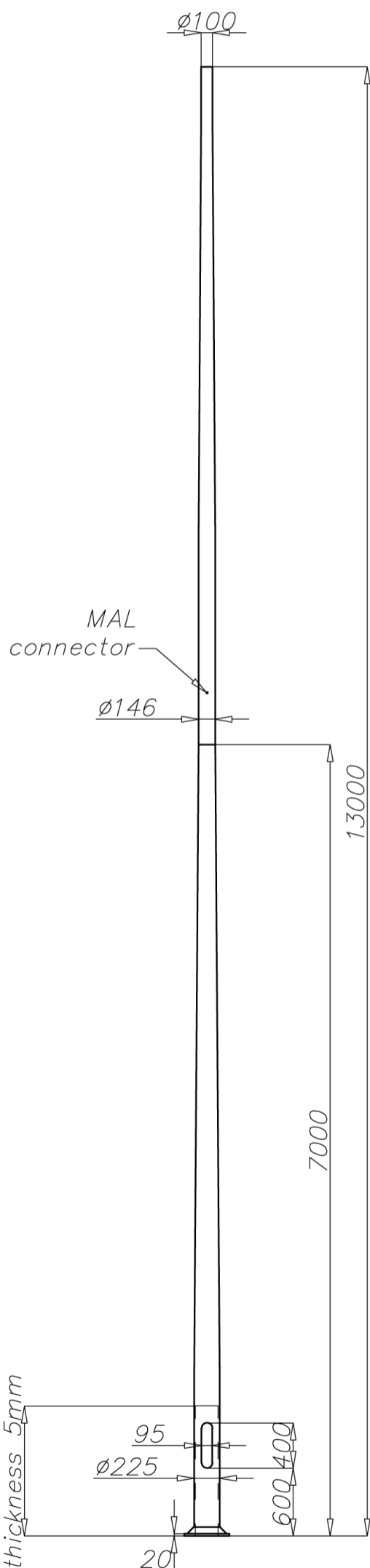

Technical data

Aluminium Column	MAL-13 wzm
Product code	42552
Column height H [m]	13
Wall thickness [mm]	5
Net weight [kg]	106,2
Volume [m ³]	0,68
Post top column	luminaires with $\varnothing 100$ spigot entry with weight and windage not exceeding data in resistance calculations
Compatible extension arms	according to resistance calculations
Concrete footing / reinforcement basket	B-80 / Z-80
Concrete footing code/reinforcement basket code	311180 / 311208
Hot galvanized nut set /Hot galvanized ripable nut set	4014

Resistance calculations

MAL-13 wzm code 42552		acceptable windage of single luminaire [m ²] for Cx=1			
		Vref. = 22 m/s	Vref. = 24 m/s	Vref. = 26 m/s	Vref. = 28 m/s
extension arm type	acceptable weight of single luminaire	I zone, II location category	I and III zone, II location category to 450m AMSL	II zone, II location category	III zone, II location category to 755m AMSL
WRK-3	15	0,41 (Cx=0,7)	0,32 (Cx=0,7)	0,21 (Cx=0,7)	0,18 (Cx=0,7)
WRK-4	15	0,36 (Cx=0,7)	0,28 (Cx=0,7)	x	0,14 (Cx=0,7)
WRK-5	15	0,27 (Cx=0,7)	0,19 (Cx=0,7)	x	x
WRK-6	15	0,17 (Cx=0,7)	0,1 (Cx=0,7)	x	x
WM-1	15	0,37	1,00	0,77	0,70
WM-2	15	0,53	0,45	0,34	0,31
WM-21	15	0,49	0,41	0,31	0,27
WM-3	15	0,39	0,33	0,25	0,23
WM-4	15	0,36	0,31	0,23	0,21
WM-42	15	0,30	0,24	0,16	0,14
WM-5	15	0,31	0,26	0,18	0,16
WM-6	15	0,28	0,23	0,16	0,14

MAL-13 wzm code 42552		acceptable windage of luminaires and extension arms [m ²] for Cx=1			
		Vref. = 22 m/s	Vref. = 24 m/s	Vref. = 26 m/s	Vref. = 28 m/s
acceptable mass of luminaires and extension arms [kg]		I zone, II location category	I and III zone, II location category to 450m AMSL	II zone, II location category	III zone, II location category to 755m AMSL
100		0,93	0,79	0,61	0,55



- surface: polished aluminium
- anodizing in 12 colours
- option of powder painting in RAL colours (other colours available on request)
- elastomer protection option in the color of the column to a height of 350 mm (other height on request)
- ROSA standard wiring chamber
- packing: sleeve material