

# Aluminium column MAL-14 wzm

diameter 225 mm at the base plate



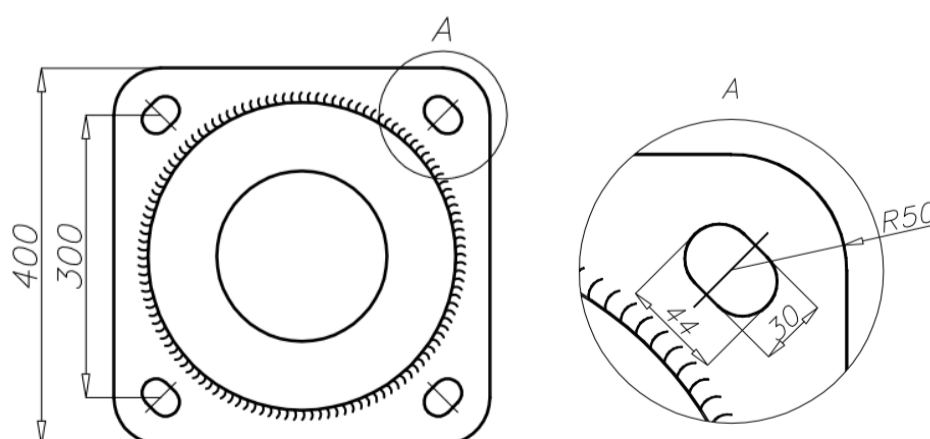
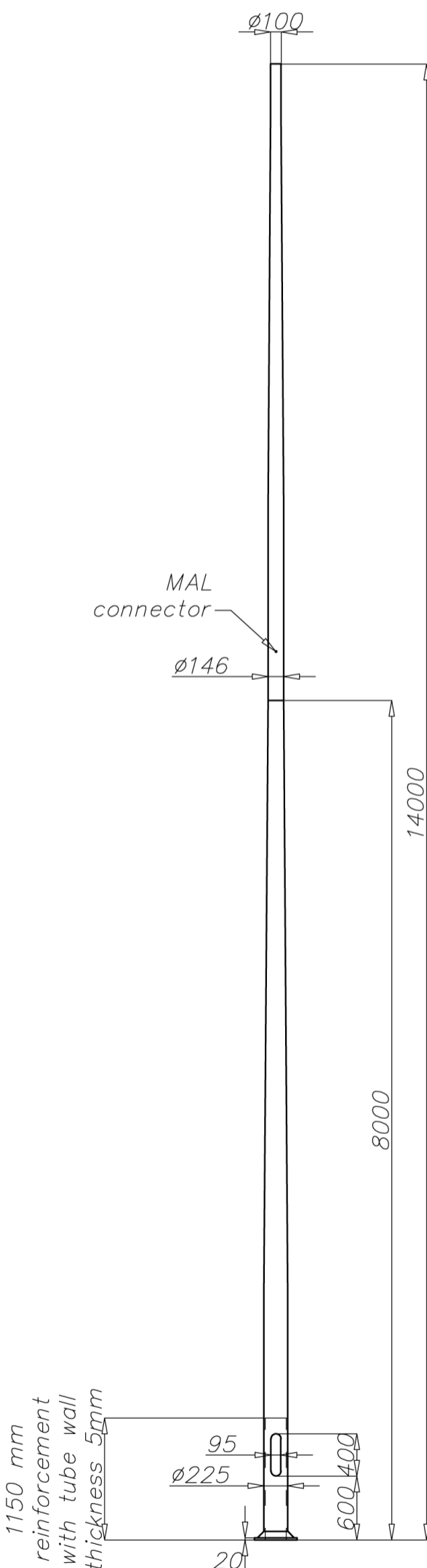
## Technical data

Aluminium Column	MAL-14 wzm
Product code	42554
Column height H [m]	14
Wall thickness [mm]	5
Net weight [kg]	114,9
Volume [m <sup>3</sup> ]	0,76
Post top column	luminaires with $\varnothing 100$ spigot entry with weight and windage not exceeding data in resistance calculations
Compatible extension arms	according to resistance calculations
Concrete footing / reinforcement basket	B-80 / Z-80
Concrete footing code/reinforcement basket code	311180 / 311208
Hot galvanized nut set /Hot galvanized ripable nut set	4014

## Resistance calculations

MAL-14 wzm code 42554		acceptable windage of single luminaire [m <sup>2</sup> ] for Cx=1			
		Vref. = 22 m/s	Vref. = 24 m/s	Vref. = 26 m/s	Vref. = 28 m/s
extension arm type	acceptable weight of single luminaire	I zone, II location category	I and III zone, II location category to 450m AMSL	II zone, II location category	III zone, II location category to 755m AMSL
WRK-3	15	0,29 (Cx=0,7)	0,22 (Cx=0,7)	0,13 (Cx=0,7)	0,1 (Cx=0,7)
WRK-4	15	0,25 (Cx=0,7)	0,18 (Cx=0,7)	x	x
WRK-5	15	0,16 (Cx=0,7)	x	x	x
WM-1	15	0,37	0,80	0,60	0,54
WM-2	15	0,42	0,35	0,26	0,23
WM-21	15	0,39	0,32	0,23	0,20
WM-3	15	0,31	0,26	0,19	0,17
WM-4	15	0,28	0,23	0,17	0,15
WM-42	15	0,22	0,17	0,10	x
WM-5	15	0,24	0,19	0,12	0,11
WM-6	15	0,21	0,16	0,10	x

MAL-14 wzm code 42554		acceptable windage of luminaires and extension arms [m <sup>2</sup> ] for Cx=1			
		Vref. = 22 m/s	Vref. = 24 m/s	Vref. = 26 m/s	Vref. = 28 m/s
acceptable mass of luminaires and extension arms [kg]		I zone, II location category	I and III zone, II location category to 450m AMSL	II zone, II location category	III zone, II location category to 755m AMSL
100		0,73	0,61	0,46	0,41



- surface: polished aluminium
- anodizing in 12 colours
- option of powder painting in RAL colours (other colours available on request)
- elastomer protection option in the color of the column to a height of 350 mm (other height on request)
- ROSA standard wiring chamber
- packing: sleeve material