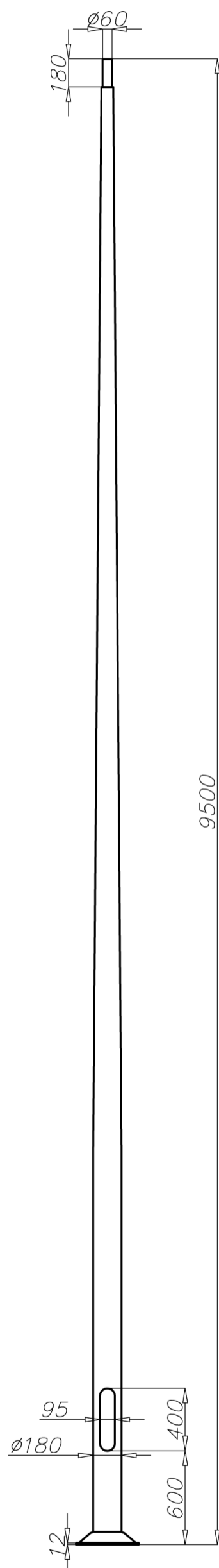


# Aluminium column SAL-95M

diameter 180 mm at the base plate



## Technical data

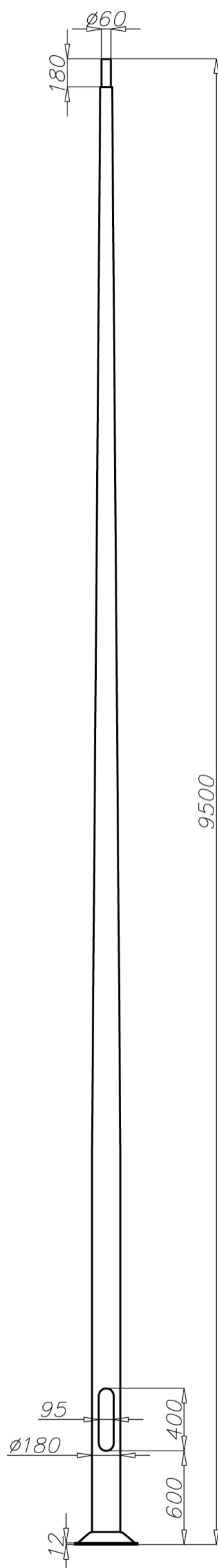
Aluminium Column	SAL-95M
Product code	42758
Column height H [m]	9,5
Wall thickness [mm]	4,3
Net weight [kg]	52,5
Volume [m <sup>3</sup> ]	0,621
Post top column	luminaires with $\varnothing 60$ spigot entry with weight and windage not exceeding data in resistance calculations
Compatible extension arms	according to resistance calculations
Concrete footing / reinforcement basket	B-71, B-70 / Z-71, Z-70
Concrete footing code/reinforcement basket code	311171, 311170/311271, 311207
Hot galvanized nut set /Hot galvanized ripable nut set	4012 / 4013

## Resistance calculations

SAL-95M code 42758		acceptable windage of single luminaire [m <sup>2</sup> ] for $C_x=0,7$			
		Vref. = 22 m/s	Vref. = 24 m/s	Vref. = 26 m/s	Vref. = 28 m/s
extension arm type	acceptable weight of single luminaire	I zone, II location category	I and III zone, II location category to 450m AMSL	II zone, II location category	III zone, II location category to 755m AMSL
WR-1/1	15	0,70	0,57	0,41	0,36
WR-1/2	15	0,31	0,25	0,16	0,14
WR-2/1	15	0,55	0,44	0,29	0,25
WR-2/2	15	0,25	0,18	0,10	x
WR-2/3	15	0,17	0,12	x	x
WR-3/1	15	0,52	0,41	0,28	0,24
WR-3/2	15	0,24	0,18	0,10	x
WR-3/3	15	0,17	0,12	x	x
WR-4/1	15	0,67	0,54	0,38	0,34
WR-4/2	15	0,31	0,25	0,16	0,14
WR-5A/1	15	0,55	0,43	0,29	0,25
WR-5A/2	15	0,24	0,18	0,10	x
WR-6A/1	15	0,70	0,57	0,40	0,35
WR-8/1	15	0,38	0,28	0,16	0,12
WR-8A/1	15	0,56	0,44	0,30	0,25
WR-9/1	15	0,37	0,27	0,14	0,11
WR-12/1	15	0,40	0,30	0,17	0,13
WR-13/1	15	0,52	0,40	0,25	0,20
WR-13/2	15	0,21	0,14	x	x
WR-13/3	15	0,14	x	x	x
WR-14/1	15	0,47	0,37	0,24	0,20
WR-15/1	15	0,53	0,41	0,27	0,22
WR-15/2	15	0,24	0,17	x	x
WR-15/3	15	0,17	0,12	x	x
WR-17/1	10	0,28	0,18	x	x

# Aluminium column SAL-95M

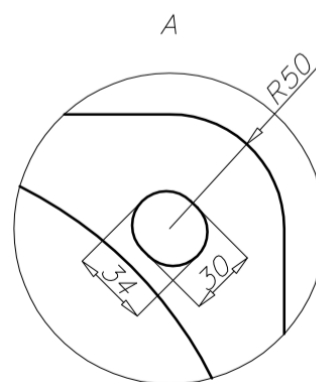
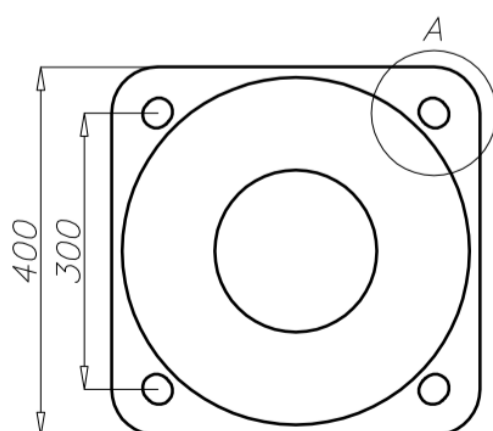
diameter 180 mm at the base plate



## Resistance calculations

SAL-95M code 42758		acceptable windage of single luminaire [m <sup>2</sup> ] for Cx=0,7			
		Vref. = 22 m/s	Vref. = 24 m/s	Vref. = 26 m/s	Vref. = 28 m/s
extension arm type	acceptable weight of single luminaire	I zone, II location category	I and III zone, II location category to 450m AMSL	II zone, II location category	III zone, II location category to 755m AMSL
WR-18	15	0,32	0,23	0,12	x
WR-18A	15	0,23	0,15	x	x
WR-18B	15	0,17	x	x	x
WR-31	15	0,24	0,14	x	x
WR-61	15	0,31	0,21	0,10	x
WRP1/1,0/0,7/5	15	0,51	0,40	0,26	0,22
WRP1/1,0/1,2/5	15	0,41	0,31	0,18	0,14
WRP1/1,5/0,7/5	15	0,41	0,32	0,19	0,15
WRP1/1,5/1,2/5	15	0,33	0,23	0,12	x
WRP2/1,0/0,7/5	15	0,24	0,17	x	x
WRP2/1,0/1,2/5	15	0,17	0,11	x	x
WRP2/1,5/0,7/5	15	0,19	0,12	x	x
WRP2/1,5/1,2/5	15	0,12	x	x	x
WRP3/1,0/0,7/5	15	0,18	0,13	x	x
WRP3/1,0/1,2/5	15	0,13	x	x	x
WRP3/1,5/0,7/5	15	0,15	0,10	x	x
WRP3/1,5/1,2/5	15	0,10	x	x	x
WN-1	15	0,59 (Cx=1)	0,49 (Cx=1)	0,35 (Cx=1)	0,31 (Cx=1)
WN-2	15	0,26 (Cx=1)	0,21 (Cx=1)	0,15 (Cx=1)	0,14 (Cx=1)
WN-21	15	0,24 (Cx=1)	0,19 (Cx=1)	0,13 (Cx=1)	0,12 (Cx=1)
WN-3	15	0,18 (Cx=1)	0,14 (Cx=1)	x	x
WN-4	12	0,17 (Cx=1)	0,14 (Cx=1)	x	x
WN-42	12	0,17 (Cx=1)	0,13 (Cx=1)	x	x

SAL-95M code 42758		acceptable windage of luminaires and extension arms [m <sup>2</sup> ] for Cx=1			
		Vref. = 22 m/s	Vref. = 24 m/s	Vref. = 26 m/s	Vref. = 28 m/s
acceptable mass of luminaires and extension arms [kg]		I zone, II location category	I and III zone, II location category to 450m AMSL	II zone, II location category	III zone, II location category to 755m AMSL
30		0,60	0,49	0,36	0,33
50		0,54	0,44	0,32	0,29



- surface: polished aluminium
- anodizing in 12 colours
- option of powder painting in RAL colours (other colours available on request)
- elastomer protection option in the color of the column to a height of 350 mm (other height on request)
- ROSA standard wiring chamber
- packing: sleeve material