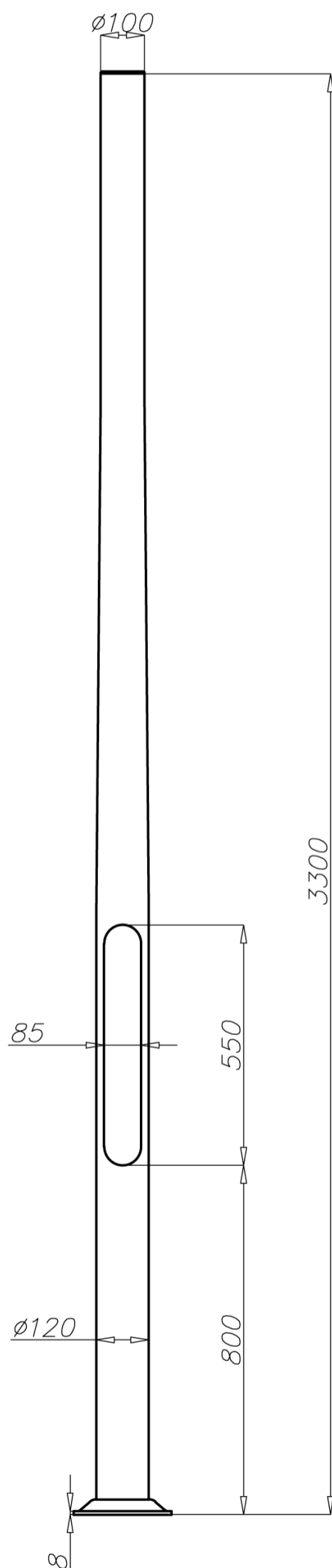


Aluminium column SAL SYG 3,3

diameter 120 mm at the base plate



Technical data

Aluminium Column	SAL SYG 3,3
Product code	42802
Column height H [m]	3,3
Wall thickness [mm]	4
Net weight [kg]	14,4
Volume [m ³]	0,091
Post top column	traffic signal lights and signs with Ø100 spigot entry with weight and windage not exceeding data in resistance calculations
Concrete footing / reinforcement basket	B-50 / Z-50
Concrete footing code / reinforcement basket code	311150 / 311205
Hot galvanized nut set / Hot galvanized ripable nut set	4006 / 4007

Resistance calculations

SAL SYG 3,3 code 42802	acceptable windage of traffic signal lights and signs [m ²] for C _x =1,2			
	V _{ref.} = 22 m/s	V _{ref.} = 24 m/s	V _{ref.} = 26 m/s	V _{ref.} = 28 m/s
acceptable mass of single traffic signal light [kg]	I zone, II location category	I and III zone, II location category to 450m AMSL	II zone, II location category	III zone, II location category to 755m AMSL
30	0,88	0,76	0,6	0,55

Notice:

Traffic signal light has got windage:

- for lens diameter 210: 0,22 m²,
- for lens diameter 300: 0,39 m².

Traffic signal light with screen dimensions 1,4m x 0,85m has got windage 1,19 m².

- surface: polished aluminium
- anodizing in 12 colours
- option of powder painting in RAL colours (other colours available on request)
- elastomer protection option in the color of the column to a height of 350 mm (other height on request)
- packing: sleeve material

