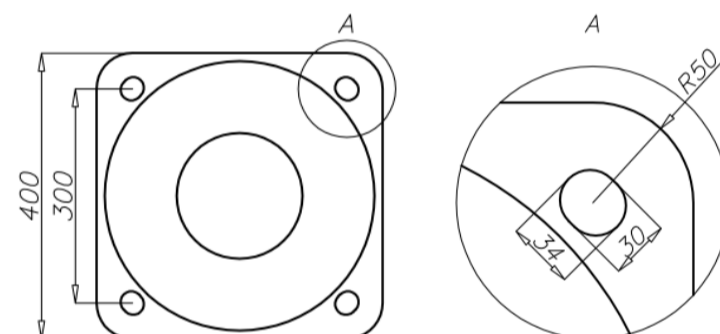
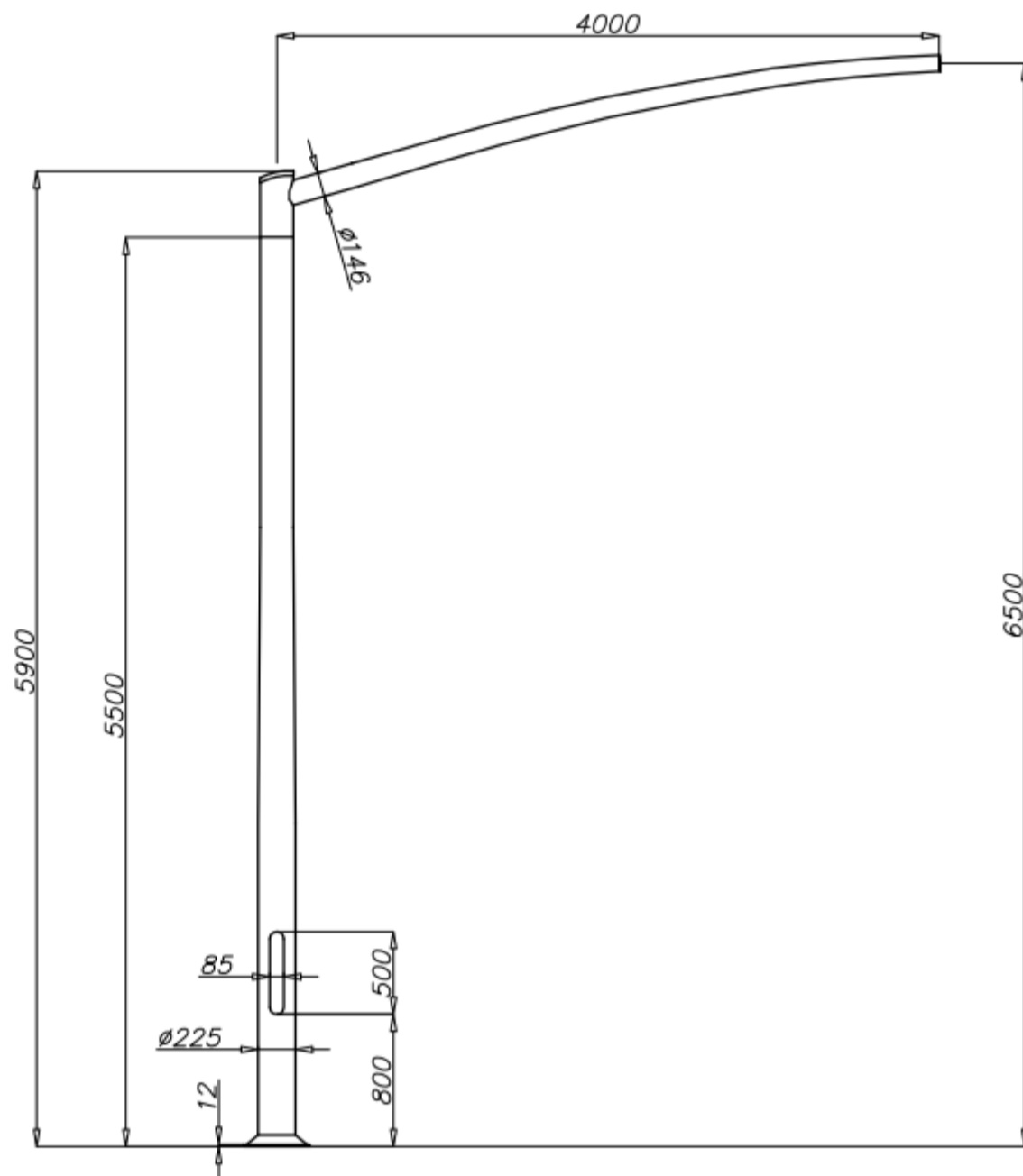


# Aluminium column SAL SYG 65-4

diameter 225 mm at the base plate



## Technical data

Aluminium Column	SAL SYG 65-4
Product code	42810
Column height H [m]	6,5
Wall thickness [mm]	5
Net weight [kg]	90,2
Volume [m <sup>3</sup> ]	0,84
Post top column	traffic signal lights and signs with weight and windage not exceeding data in resistance calculations
Concrete footing / reinforcement basket	B-80 / Z-80
Concrete footing code / reinforcement basket code	311180/311208
Hot galvanized nut set /Hot galvanized ripable nut set	4014

- surface: polished aluminium
- anodizing in 12 colours
- option of powder painting in RAL colours (other colours available on request)
- elastomer protection option in the color of the column to a height of 350 mm (other height on request)
- packing: sleeve material

## Resistance calculations

SAL SYG 65-4 code 42810	acceptable windage of traffic signal lights and signs [m <sup>2</sup> ] for C <sub>x</sub> =1,2			
	V <sub>ref.</sub> = 22 m/s	V <sub>ref.</sub> = 24 m/s	V <sub>ref.</sub> = 26 m/s	V <sub>ref.</sub> = 28 m/s
acceptable mass of single traffic signal light [kg]	I zone, III location category	I and III zone, III location category to 450m AMSL	II zone, III location category	III zone, III location category to 755m AMSL
30	1,26	1,11	0,88	0,82

### Notice:

Traffic signal light has got windage:

 - for lens diameter 210: 0,22 m<sup>2</sup>,

 • for lens diameter 300: 0,39 m<sup>2</sup>.

 • Traffic signal light with screen dimensions 1,4m x 0,85m has got windage 1,19 m<sup>2</sup>.