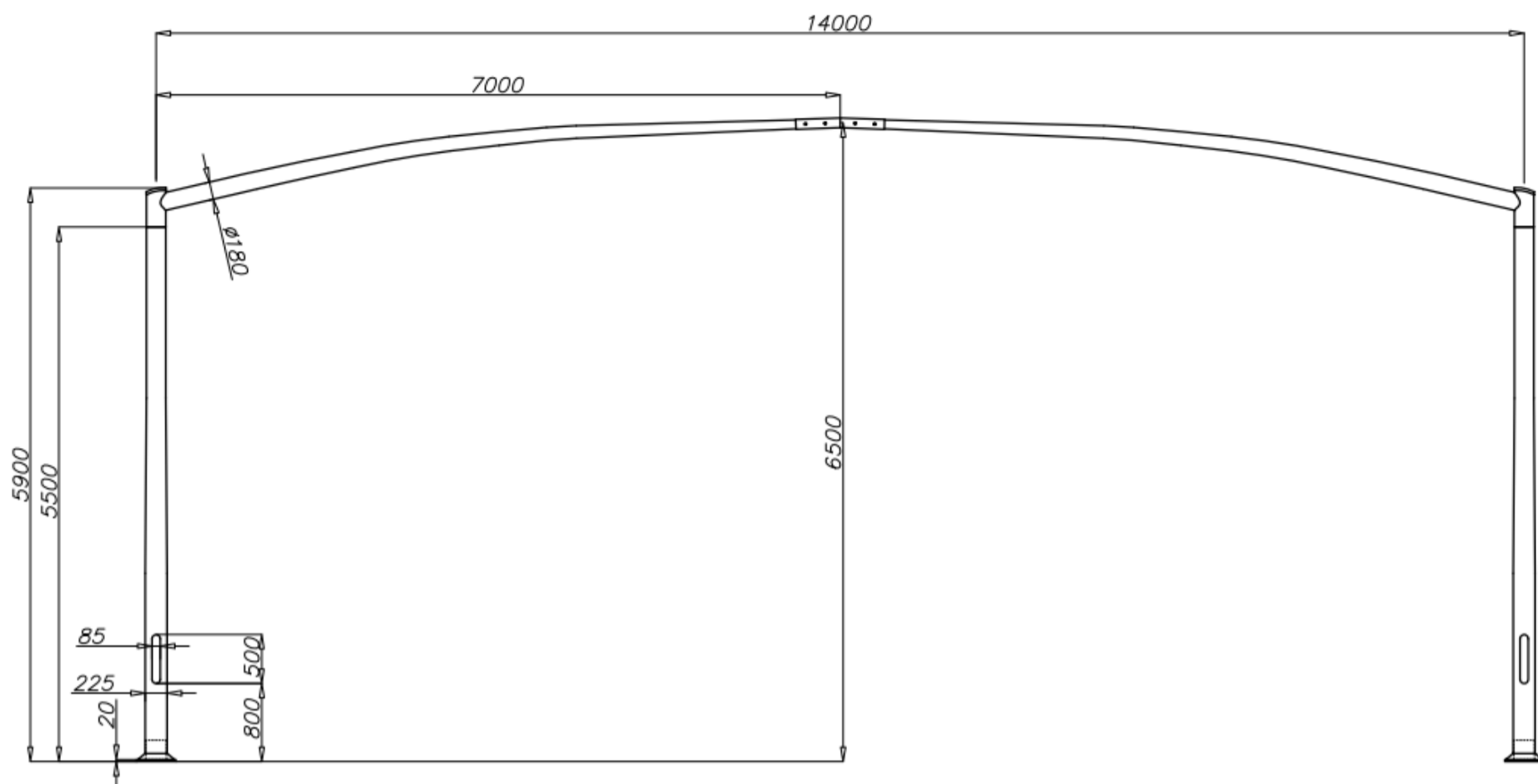


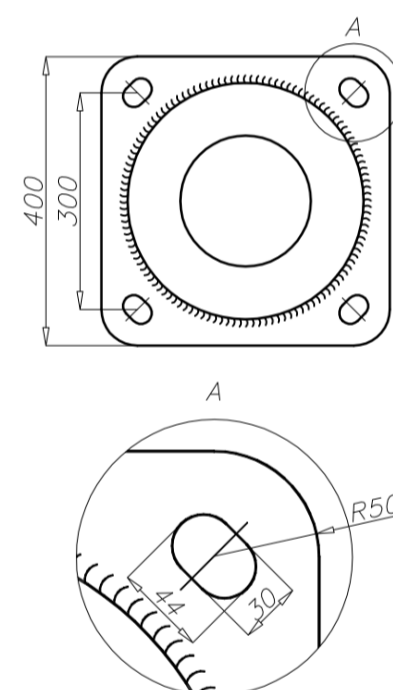
Aluminium column SAL SYG 14

diameter 225 mm at the base plate



Technical data

Aluminium Column	SAL SYG 14
Product code	42831
Column height H [m]	6,5
Wall thickness [mm]	5
Net weight [kg]	243,1
Volume [m ³]	2,08
Post top column	traffic signal lights and signs with weight and windage not exceeding data in resistance calculations
Concrete footing / reinforcement basket	B-80 / Z-80
Concrete footing code / reinforcement basket code	311180/311208
Hot galvanized nut set /Hot galvanized ripable nut	4014



Resistance calculations

SAL SYG 14 code 42831	acceptable windage of traffic signal lights and signs [m ²] for Cx=1,2			
	Vref. = 22 m/s	Vref. = 24 m/s	Vref. = 26 m/s	Vref. = 28 m/s
acceptable mass of single traffic signal light [kg]	I zone, III location category	I and III zone, III location category to 450m AMSL	II zone, III location category	III zone, III location category to 755m AMSL
25 x 4	1,63m ² x 4	1,44m ² x 4	1,15m ² x 4	1,06m ² x 4

Notice:

Traffic signal light has got windage:

- for lens diameter 210: 0,22 m²,
- for lens diameter 300: 0,39 m².

Traffic signal light with screen dimensions 1,4m x 0,85m has got windage 1,19 m².

- surface: polished aluminium
- anodizing in 12 colours
- option of powder painting in RAL colours (other colours available on request)
- elastomer protection option in the color of the column to a height of 350 mm (other height on request)
- packing: sleeve material