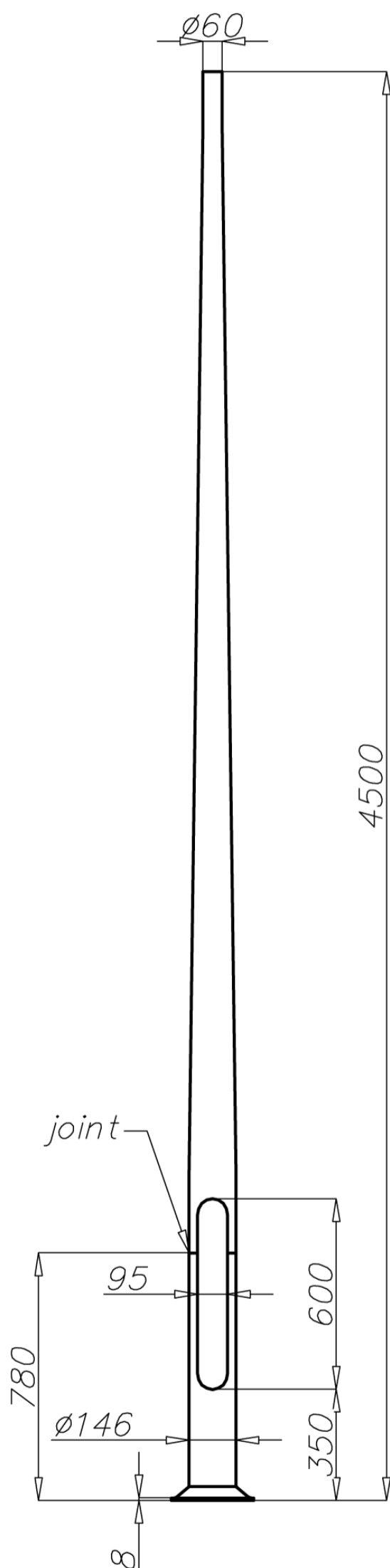


Aluminium column SAL-45/P

diameter 146 mm at the base plate



Technical data

Aluminium Column	SAL-45/P
Product code	42915
Column height H [m]	4,5
Wall thickness [mm]	4,2
Net weight [kg]	21,6
Volume [m ³]	0,13
Post top column	luminaires with $\varnothing 60$ spigot entry with weight and windage not exceeding data in resistance calculations
Concrete footing / reinforcement basket	B-51 / Z-51
Concrete footing code/reinforcement basket code	311151 / 311251
Hot galvanized nut set /Hot galvanized ripable nut set	4008 / 4009

Resistance calculations for 30 kg - expected max loading on height 2 m during lowering and raising in angle around 45°.

SAL-45/P code 42915		acceptable windage of single luminaire [m ²] for Cx=0,7			
		Vref. = 22 m/s	Vref. = 24 m/s	Vref. = 26 m/s	Vref. = 28 m/s
extension arm type	acceptable weight of single luminaire	I zone, II location category	I and III zone, II location category to 450m AMSL	II zone, II location category	III zone, II location category to 755m AMSL
WR-1/1	10,5	0,79	0,66	0,49	0,43
WR-4/1	11	0,81	0,67	0,49	0,44
WR-6A/1	9,5	0,68	0,57	0,41	0,36
WR-8/1	5	0,4	0,31	0,19	0,15
WR-8A/1	8,5	0,63	0,51	0,36	0,31
WR-12/1	5	0,42	0,33	0,2	0,17
WN-1	12,5	0,63(Cx=1)	0,53(Cx=1)	0,39(Cx=1)	0,35(Cx=1)
WA-01	11	0,55(Cx=1)	0,46(Cx=1)	0,33(Cx=1)	0,29(Cx=1)
WA-1	11	0,57(Cx=1)	0,48(Cx=1)	0,35(Cx=1)	0,31(Cx=1)
WA-2	9,5	0,52(Cx=1)	0,43(Cx=1)	0,3(Cx=1)	0,26(Cx=1)
WA-3	11	0,56(Cx=1)	0,46(Cx=1)	0,33(Cx=1)	0,29(Cx=1)
WA-4	7	0,46(Cx=1)	0,37(Cx=1)	0,24(Cx=1)	0,21(Cx=1)
WA-5/1	8,5	0,45(Cx=1)	0,36(Cx=1)	0,25(Cx=1)	0,21(Cx=1)
WA-8/1	9,5	0,53(Cx=1)	0,43(Cx=1)	0,3(Cx=1)	0,26(Cx=1)
WA-14/1	11	0,62(Cx=1)	0,5(Cx=1)	0,34(Cx=1)	0,29(Cx=1)
WA-15/1 P	10,5	0,57(Cx=1)	0,46(Cx=1)	0,32(Cx=1)	0,28(Cx=1)
WA-15/1 U	7,5	0,41(Cx=1)	0,33(Cx=1)	0,22(Cx=1)	0,19(Cx=1)

SAL-45/P code 42915		acceptable windage of luminaires and extension arms [m ²] for Cx=1			
		Vref. = 22 m/s	Vref. = 24 m/s	Vref. = 26 m/s	Vref. = 28 m/s
acceptable mass of luminaires and extension arms [kg] - mounted on the height of 4,7m		I zone, II location category	I and III zone, II location category to 450m AMSL	II zone, II location category	III zone, II location category to 755m AMSL
13,5		0,67(Cx=1)	0,57(Cx=1)	0,43(Cx=1)	0,39(Cx=1)

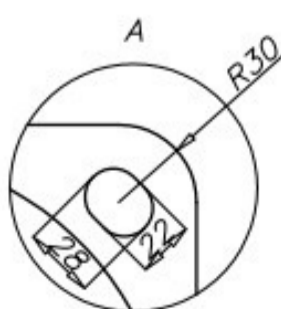
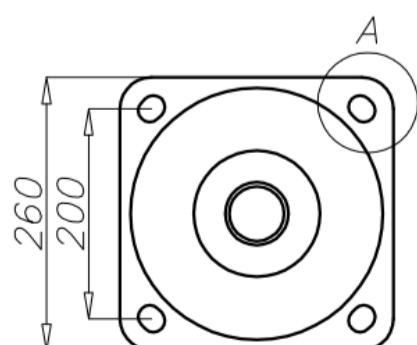
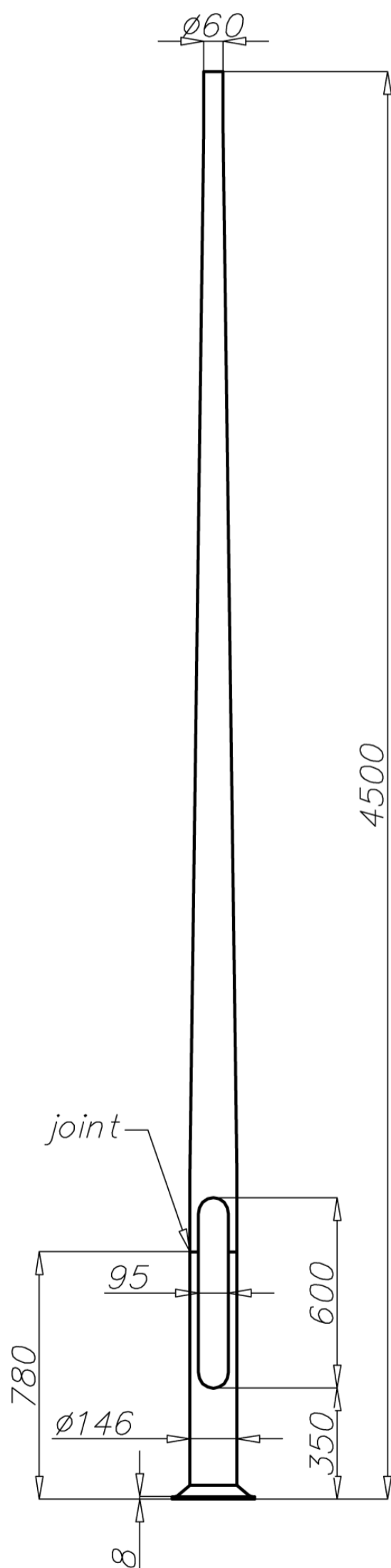
Aluminium column SAL-45/P

diameter 146 mm at the base plate


Resistance calculations for 50 kg - expected max loading on height 2 m during lowering and raising in angle around 45°.

SAL-45/P code 42915		acceptable windage of single luminaire [m ²] for C _x =0,7			
		Vref. = 22 m/s	Vref. = 24 m/s	Vref. = 26 m/s	Vref. = 28 m/s
extension arm type	acceptable weight of single luminaire	I zone, II location category	I and III zone, II location category to 450m AMSL	II zone, II location category	III zone, II location category to 755m AMSL
WR-1/1	18	0,74	0,61	0,45	0,4
WR-1/2	5	0,37	0,3	0,22	0,19
WR-4/1	18	0,76	0,63	0,45	0,4
WR-4/2	5	0,38	0,31	0,22	0,19
WR-6A/1	18	0,63	0,52	0,37	0,33
WR-8/1	13,5	0,35	0,27	0,15	0,12
WR-8A/1	18	0,57	0,47	0,32	0,28
WR-12/1	13,5	0,37	0,28	0,17	0,13
WN-1	18,0	0,59(C _x =1)	0,49(C _x =1)	0,37(C _x =1)	0,33(C _x =1)
WN-2	6,0	0,31(C _x =1)	0,26(C _x =1)	0,19(C _x =1)	0,17(C _x =1)
WN-21	5,5	0,29(C _x =1)	0,24(C _x =1)	0,18(C _x =1)	0,16(C _x =1)
WA-01	18	0,51(C _x =1)	0,42(C _x =1)	0,3(C _x =1)	0,27(C _x =1)
WA-1	18	0,54(C _x =1)	0,44(C _x =1)	0,32(C _x =1)	0,28(C _x =1)
WA-2	18	0,49(C _x =1)	0,39(C _x =1)	0,27(C _x =1)	0,23(C _x =1)
WA-3	18	0,53(C _x =1)	0,43(C _x =1)	0,31(C _x =1)	0,27(C _x =1)
WA-4	18	0,42(C _x =1)	0,34(C _x =1)	0,22(C _x =1)	0,18(C _x =1)
WA-5/1	18	0,41(C _x =1)	0,33(C _x =1)	0,22(C _x =1)	0,19(C _x =1)
WA-5/2	4	0,17(C _x =1)	0,13(C _x =1)	x	x
WA-8/1	18	0,5(C _x =1)	0,4(C _x =1)	0,27(C _x =1)	0,23(C _x =1)
WA-8/2	4,5	0,2(C _x =1)	0,15(C _x =1)	x	x
WA-14/1	18	0,57(C _x =1)	0,46(C _x =1)	0,31(C _x =1)	0,27(C _x =1)
WA-14/2	5,5	0,23(C _x =1)	0,18(C _x =1)	0,1(C _x =1)	x
WA-15/1 P	18	0,53(C _x =1)	0,43(C _x =1)	0,29(C _x =1)	0,25(C _x =1)
WA-15/1 U	17,5	0,53	0,42	0,28	0,24
WA-15/2	4,5	0,2(C _x =1)	0,15(C _x =1)	x	x

SAL-45/P code 42915		acceptable windage of luminaires and extension arms [m ²] for C _x =1			
		Vref. = 22 m/s	Vref. = 24 m/s	Vref. = 26 m/s	Vref. = 28 m/s
acceptable mass of luminaires and extension arms [kg] - mounted on the height of 4,7m		I zone, II location category	I and III zone, II location category to 450m AMSL	II zone, II location category	III zone, II location category to 755m AMSL
26		0,63(C _x =1)	0,53(C _x =1)	0,4(C _x =1)	0,37(C _x =1)



- surface: polished aluminium
- anodizing in 12 colours
- option of powder painting in RAL colours (other colours available on request)
- elastomer protection option in the color of the column to a height of 350 mm (other height on request)
- ROSA standard wiring chamber
- packing: sleeve material