

Aluminium column SAL-50/P

diameter 146 mm at the base plate



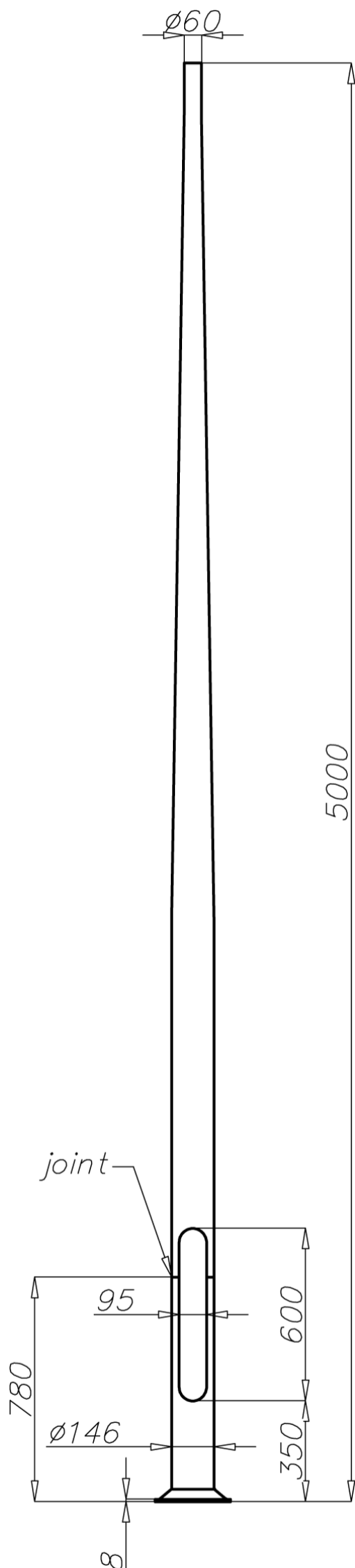
Technical data

Aluminium Column	SAL-50/P
Product code	42916
Column height H [m]	5,0
Wall thickness [mm]	4,2
Net weight [kg]	23,8
Volume [m ³]	0,145
Post top column	luminaires with $\varnothing 60$ spigot entry with weight and windage not exceeding data in resistance calculations
Concrete footing / reinforcement basket	B-51 / Z-51
Concrete footing code/reinforcement basket code	311151 / 311251
Hot galvanized nut set /Hot galvanized ripable nut set	4008 / 4009

Resistance calculations for 30 kg - expected max loading on height 2 m during lowering and raising in angle around 45°.

SAL-50/P code 42916		acceptable windage of single luminaire [m ²] for Cx=0,7			
		Vref. = 22 m/s	Vref. = 24 m/s	Vref. = 26 m/s	Vref. = 28 m/s
extension arm type	acceptable weight of single luminaire	I zone, II location category	I and III zone, II location category to 450m AMSL	II zone, II location category	III zone, II location category to 755m AMSL
WR-1/1	7,5	0,63	0,52	0,37	0,32
WR-4/1	7,5	0,64	0,52	0,37	0,32
WR-6A/1	6,5	0,55	0,45	0,31	0,27
WR-8A/1	6	0,49	0,39	0,26	0,22
WN-1	9,0	0,5(Cx=1)	0,41(Cx=1)	0,3(Cx=1)	0,27(Cx=1)
WA-01	8	0,43(Cx=1)	0,35(Cx=1)	0,24(Cx=1)	0,21(Cx=1)
WA-1	8	0,45(Cx=1)	0,37(Cx=1)	0,26(Cx=1)	0,22(Cx=1)
WA-2	6,5	0,4(Cx=1)	0,31(Cx=1)	0,21(Cx=1)	0,17(Cx=1)
WA-3	8	0,44(Cx=1)	0,35(Cx=1)	0,24(Cx=1)	0,21(Cx=1)
WA-4	4	0,34(Cx=1)	0,26(Cx=1)	0,16(Cx=1)	0,13(Cx=1)
WA-5/1	5,5	0,34(Cx=1)	0,27(Cx=1)	0,17(Cx=1)	0,14(Cx=1)
WA-8/1	6	0,4(Cx=1)	0,32(Cx=1)	0,2(Cx=1)	0,17(Cx=1)
WA-14/1	7	0,45(Cx=1)	0,36(Cx=1)	0,23(Cx=1)	0,19(Cx=1)
WA-15/1 P	7	0,42(Cx=1)	0,33(Cx=1)	0,22(Cx=1)	0,18(Cx=1)
WA-15/1 U	5	0,45	0,35	0,22	0,18

SAL-50/P code 42916		acceptable windage of luminaires and extension arms [m ²] for Cx=1			
		Vref. = 22 m/s	Vref. = 24 m/s	Vref. = 26 m/s	Vref. = 28 m/s
acceptable mass of luminaires and extension arms [kg] - mounted on the height of 5,2m		I zone, II location category	I and III zone, II location category to 450m AMSL	II zone, II location category	III zone, II location category to 755m AMSL
10,5		0,53(Cx=1)	0,45(Cx=1)	0,34(Cx=1)	0,3(Cx=1)



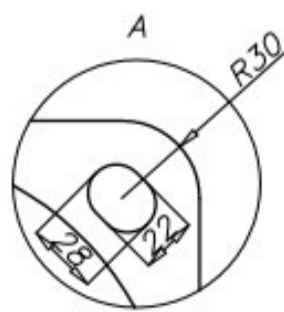
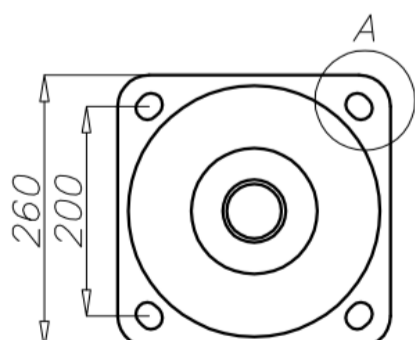
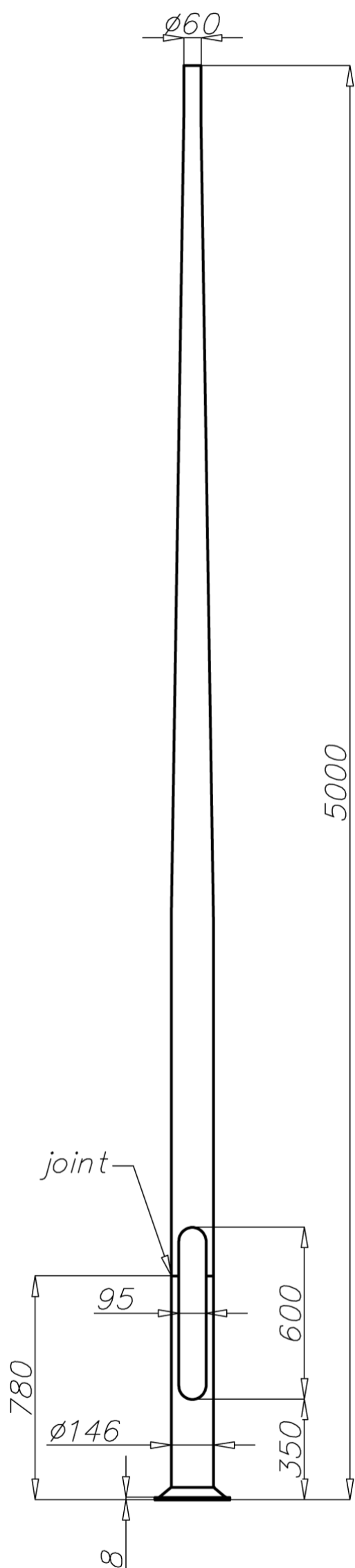
Aluminium column SAL-50/P

diameter 146 mm at the base plate


Resistance calculations for 50 kg - expected max loading on height 2 m during lowering and raising in angle around 45°.

SAL-50/P code 42916		acceptable windage of single luminaire [m ²] for C _x =0,7			
		Vref. = 22 m/s	Vref. = 24 m/s	Vref. = 26 m/s	Vref. = 28 m/s
extension arm type	acceptable weight of single luminaire	I zone, II location category	I and III zone, II location category to 450m AMSL	II zone, II location category	III zone, II location category to 755m AMSL
WR-1/1	17,5	0,58	0,47	0,33	0,29
WR-4/1	18	0,58	0,47	0,33	0,29
WR-6A/1	16	0,5	0,4	0,28	0,24
WR-8/1	11	0,25	0,18	x	x
WR-8A/1	15	0,44	0,35	0,22	0,19
WR-12/1	11	0,27	0,19	x	x
WN-1	18	0,46(C _x =1)	0,38(C _x =1)	0,27(C _x =1)	0,24(C _x =1)
WN-2	4,5	0,25(C _x =1)	0,2(C _x =1)	0,15(C _x =1)	0,13(C _x =1)
WN-21	4,5	0,23(C _x =1)	0,18(C _x =1)	0,13(C _x =1)	0,11(C _x =1)
WA-01	18	0,39(C _x =1)	0,32(C _x =1)	0,22(C _x =1)	0,19(C _x =1)
WA-1	18	0,41(C _x =1)	0,34(C _x =1)	0,23(C _x =1)	0,2(C _x =1)
WA-2	17	0,36(C _x =1)	0,29(C _x =1)	0,18(C _x =1)	0,15(C _x =1)
WA-3	18	0,4(C _x =1)	0,32(C _x =1)	0,22(C _x =1)	0,19(C _x =1)
WA-4	14,5	0,31(C _x =1)	0,23(C _x =1)	0,13(C _x =1)	0,1(C _x =1)
WA-5/1	15,5	0,3(C _x =1)	0,23(C _x =1)	0,14(C _x =1)	0,12(C _x =1)
WA-5/2	3	0,12(C _x =1)	x	x	x
WA-8/1	17	0,37(C _x =1)	0,29(C _x =1)	0,18(C _x =1)	0,15(C _x =1)
WA-8/2	3,5	0,14(C _x =1)	x	x	x
WA-14/1	18	0,41(C _x =1)	0,32(C _x =1)	0,2(C _x =1)	0,16(C _x =1)
WA-14/2	4	0,15(C _x =1)	0,1(C _x =1)	x	x
WA-15/1 P	18	0,39(C _x =1)	0,3(C _x =1)	0,19(C _x =1)	0,16(C _x =1)
WA-15/1 U	14	0,4	0,31	0,18	0,15
WA-15/2	3,5	0,13(C _x =1)	x	x	x

SAL-50/P code 42916		acceptable windage of luminaires and extension arms [m ²] for C _x =1			
		Vref. = 22 m/s	Vref. = 24 m/s	Vref. = 26 m/s	Vref. = 28 m/s
acceptable mass of luminaires and extension arms [kg] - mounted on the height of 5,2m		I zone, II location category	I and III zone, II location category to 450m AMSL	II zone, II location category	III zone, II location category to 755m AMSL
21,5		0,5(C _x =1)	0,42(C _x =1)	0,31(C _x =1)	0,28(C _x =1)



- surface: polished aluminium
- anodizing in 12 colours
- option of powder painting in RAL colours (other colours available on request)
- elastomer protection option in the color of the column to a height of 350 mm (other height on request)
- ROSA standard wiring chamber
- packing: sleeve material