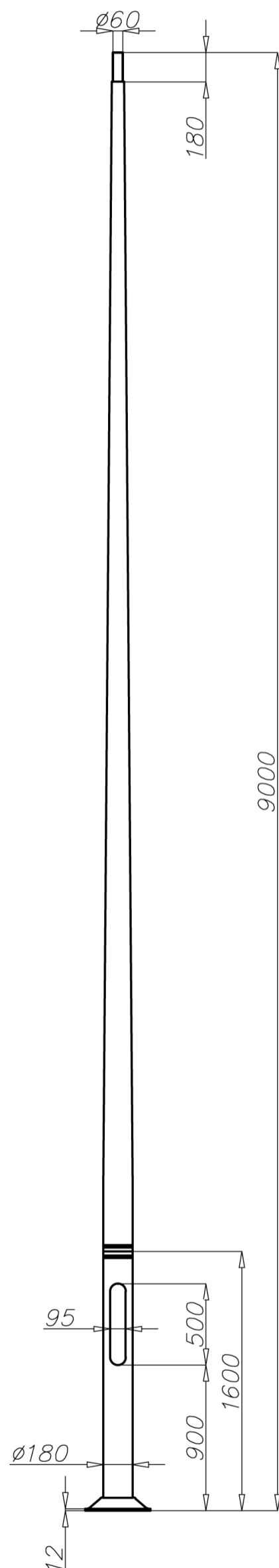


Aluminium column SAL-90 M/P

diameter 180 mm at the base plate



Technical data

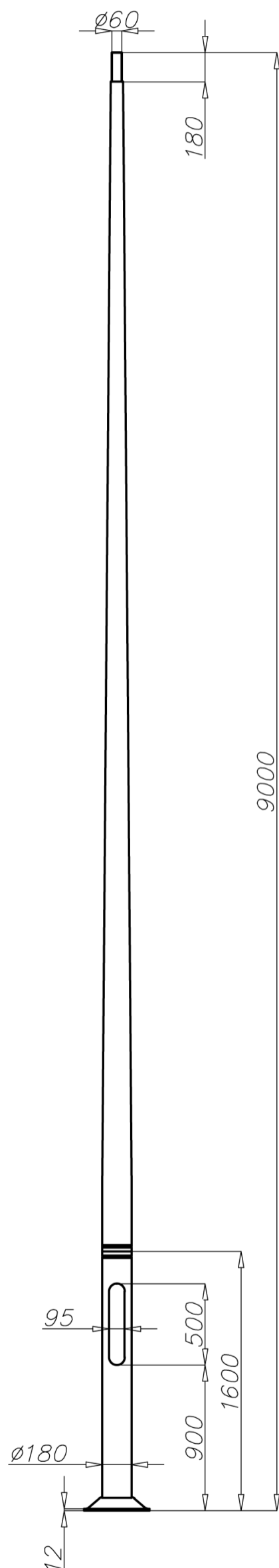
Aluminium Column	SAL-90M/P
Product code	42931
Column height H [m]	9,0
Wall thickness [mm]	4,3
Net weight [kg]	54,4
Volume [m ³]	0,589
Post top column	luminaires with $\varnothing 60$ spigot entry with weight and windage not exceeding data in resistance calculations
Concrete footing / reinforcement basket	B-70 / Z-70
Concrete footing code/reinforcement basket code	311170/ 311207
Hot galvanized nut set /Hot galvanized ripable nut set	4012 / 4013

Resistance calculations

SAL-90M/P code 42931		acceptable windage of single luminaire [m ²] for $C_x=0,7$			
		Vref. = 22 m/s	Vref. = 24 m/s	Vref. = 26 m/s	Vref. = 28 m/s
extension arm type	acceptable weight of single luminaire	I zone, II location category	I and III zone, II location category to 450m AMSL	II zone, II location category	III zone, II location category to 755m AMSL
WR-1/1	18	0,65	0,53	0,38	0,34
WR-1/2	8	0,4	0,33	0,23	0,2
WR-2/1	17,5	0,56	0,45	0,31	0,27
WR-2/2	7,5	0,34	0,26	0,17	0,14
WR-3/1	15	0,54	0,43	0,3	0,26
WR-3/2	7	0,34	0,26	0,17	0,14
WR-4/1	18	0,64	0,52	0,37	0,33
WR-4/2	8	0,4	0,33	0,23	0,2
WR-5A/1	18	0,53	0,42	0,28	0,24
WR-5A/2	7	0,33	0,26	0,17	0,14
WR-6A/1	18	0,67	0,55	0,39	0,34
WR-8/1	18	0,37	0,27	0,16	0,12
WR-8A/1	18	0,53	0,42	0,29	0,25
WR-9/1	18	0,35	0,26	0,14	0,11
WR-9/2	5	0,18	0,12	x	x
WR-12/1	18	0,38	0,29	0,17	0,13
WR-13/1	18	0,53	0,41	0,26	0,22
WR-13/2	7,5	0,3	0,22	0,12	x
WR-14/1	16	0,49	0,39	0,26	0,22
WR-15/1	16,5	0,54	0,43	0,29	0,25
WR-15/2	7,5	0,34	0,26	0,16	0,13

Aluminium column SAL-90 M/P

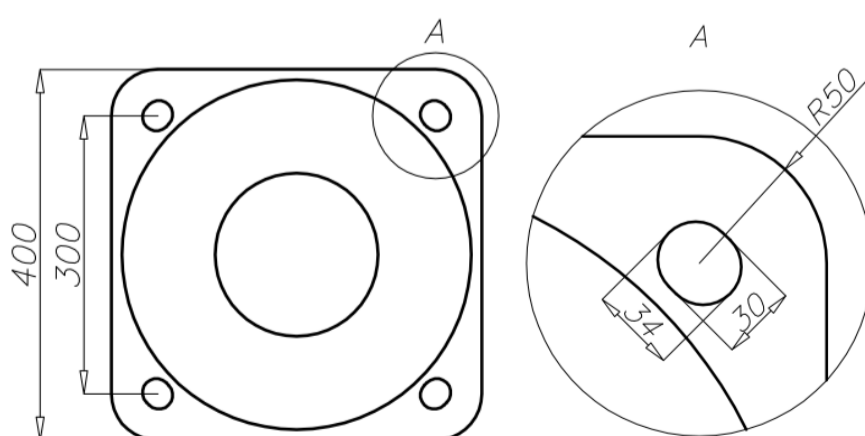
diameter 180 mm at the base plate



Resistance calculations

SAL-90M/P code 42931		acceptable windage of single luminaire [m ²] for C _x =0,7			
		Vref. = 22 m/s	Vref. = 24 m/s	Vref. = 26 m/s	Vref. = 28 m/s
extension arm type	acceptable weight of single luminaire	I zone, II location category	I and III zone, II location category to 450m AMSL	II zone, II location category	III zone, II location category to 755m AMSL
WR-17/1	9,5	0,23(C _x =1)	0,16(C _x =1)	x	x
WR-18	8,5	0,37	0,28	0,16	0,13
WR-18A	8,5	0,28	0,2	x	x
WR-18B	8,5	0,22	0,14	x	x
WR-31	14,5	0,28	0,18	x	x
WR-61	7,5	0,35	0,26	0,14	0,11
WRP1/1,0/0,7/5	18	0,55	0,44	0,29	0,25
WRP1/1,0/1,2/5	18	0,45	0,35	0,21	0,17
WRP1/1,5/0,7/5	12	0,47	0,37	0,23	0,2
WRP1/1,5/1,2/5	11	0,38	0,29	0,16	0,12
WRP2/1,0/0,7/5	7,5	0,33	0,25	0,16	0,13
WRP2/1,0/1,2/5	6,5	0,26	0,19	0,11	x
WRP2/1,5/0,7/5	7	0,28	0,2	0,11	x
WRP2/1,5/1,2/5	6	0,21	0,14	x	x
WN-1	18	0,58(C _x =1)	0,48(C _x =1)	0,35(C _x =1)	0,32(C _x =1)
WN-2	8,5	0,33(C _x =1)	0,27(C _x =1)	0,2(C _x =1)	0,18(C _x =1)
WN-21	8,5	0,31(C _x =1)	0,25(C _x =1)	0,18(C _x =1)	0,16(C _x =1)

SAL-90M/P code 42931		acceptable windage of luminaires and extension arms [m ²] for C _x =1			
		Vref. = 22 m/s	Vref. = 24 m/s	Vref. = 26 m/s	Vref. = 28 m/s
acceptable mass of luminaires and extension arms [kg] - mounted on the height of 9,2m		I zone, II location category	I and III zone, II location category to 450m AMSL	II zone, II location category	III zone, II location category to 755m AMSL
37,5		0,6(C _x =1)	0,5(C _x =1)	0,38(C _x =1)	0,34(C _x =1)



- surface: polished aluminium
- anodizing in 12 colours
- option of powder painting in RAL colours (other colours available on request)
- elastomer protection option in the color of the column to a height of 350 mm (other height on request)
- ROSA standard wiring chamber
- packing: sleeve material