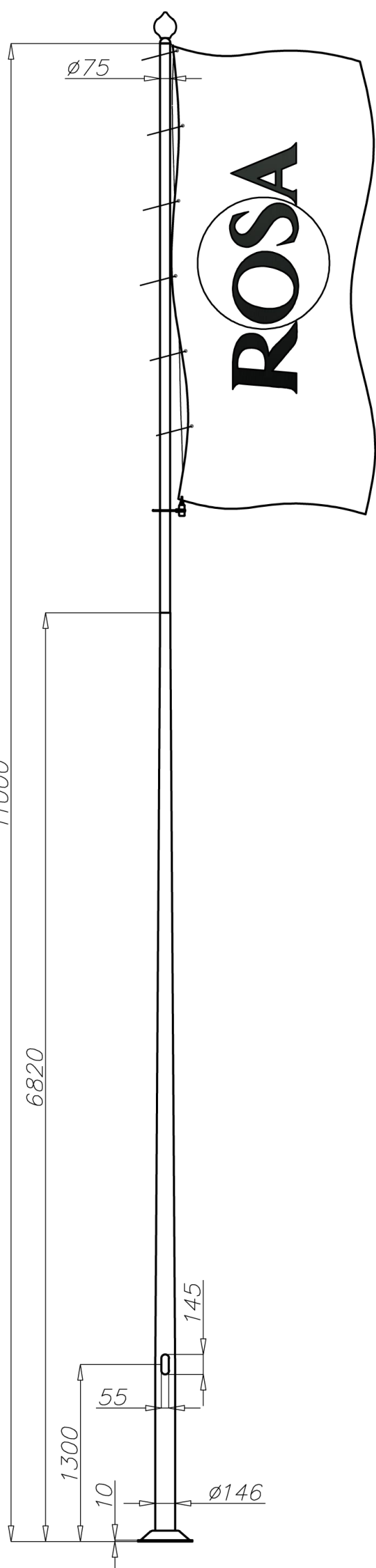


# Flag pole SAL MF 11-146

diameter 146 mm the base plate



## Technical data

Flag pole	SAL MF 11-146
Product code	42959
Flag pole height [m]	11
Height of lower section + tube [m]	6,82 + 0,2
Lower wall thickness [mm]	4,2
Height of upper section [m]	4,18
Upper wall thickness [mm]	5
Net weight [kg]	48,1
Volume [m <sup>3</sup> ]	0,476
Concrete footing / reinforcement basket	B-71 / Z-71
Concrete footing code/reinforcement Basket code	311170/ 311207
Hot galvanized nut set /Hot galvanized ripable nut set	4012 / 4013

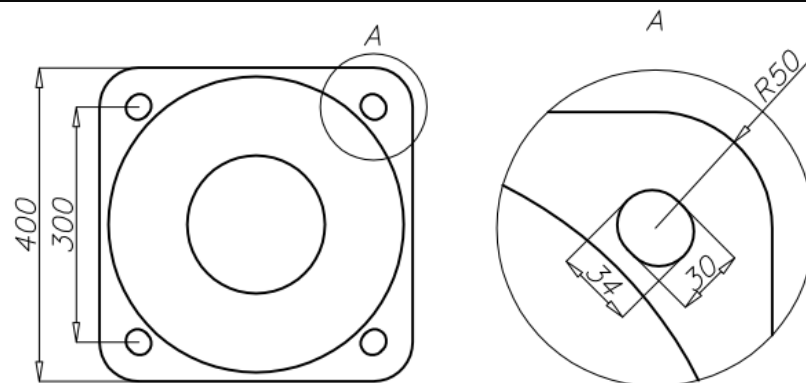
## Resistance calculations

SAL MF 11-146 code 42959	location category			
	Vref. = 22 m/s	Vref. = 24 m/s	Vref. = 26 m/s	Vref. = 28 m/s
Surface flag	I zone	I and III zone to 450m AMSL	II zone	III zone to 755m AMSL
≤ 3 m <sup>2</sup>	2	2	3	4
≤ 6 m <sup>2</sup>	2	3	4	x

 resistance calculations based on: 1 m<sup>2</sup> of flag = 0,16 kg

## Additional equipment

Name of product	Cross-bar 1,0 m	Cross-bar 1,5 m	Cross-bar 2,0 m
Product code	4000	4003	4011
Outreach of cross-bar [m]	1,0	1,5	2,0
Net weight [kg]	1,8	2,0	2,2
Approximate volume [m <sup>3</sup> ]	0,01	0,01	0,01



- surface: polished aluminium
- anodizing in 12 colours
- option of powder painting in RAL colours (other colours available on request)
- elastomer protection option in the color of the column to a height of 350 mm (other height on request)
- packing: sleeve material
- top: standard gold silver