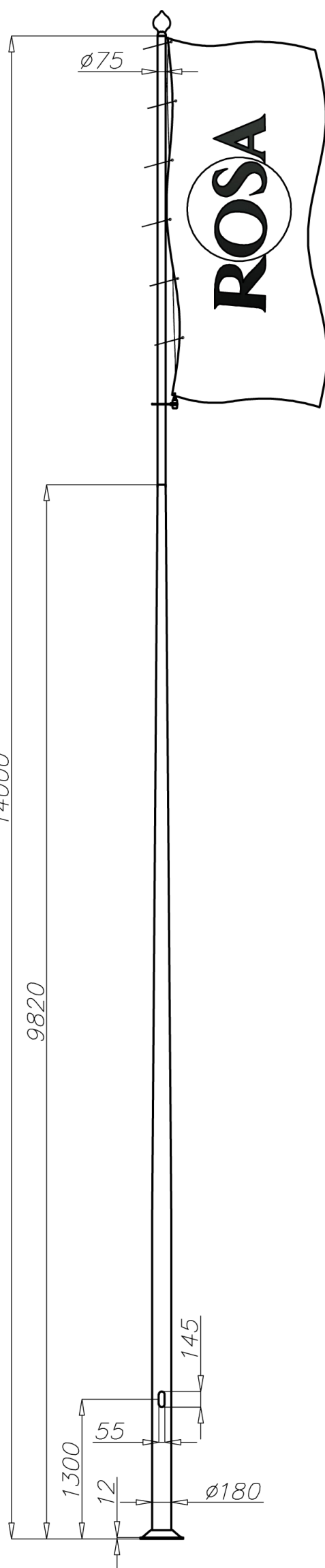


Flag pole SAL MF 14-180

diameter 180 mm at the base plate



Technical data

Flag pole	SAL MF 14-180
Product code	42962
Flag pole height [m]	14
Height of lower section + tube [m]	9,82 + 0,2
Lower wall thickness [mm]	5
Height of upper section [m]	4,18
Upper wall thickness [mm]	5
Net weight [kg]	71,1
Volume [m ³]	0,685
Concrete footing / reinforcement basket	B-70 / Z-70
Concrete footing code/reinforcement basket code	311170/ 311207
Hot galvanized nut set /Hot galvanized ripable nut set	4012 / 4013

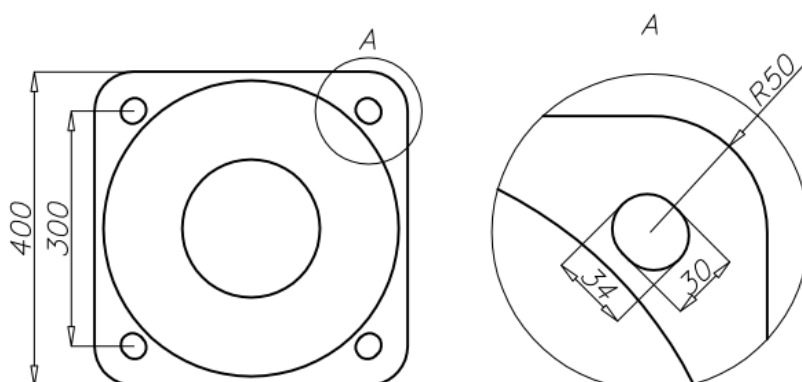
Resistance calculations

SAL MF 14-180 code 42962	location category			
	Vref. = 22 m/s	Vref. = 24 m/s	Vref. = 26 m/s	Vref. = 28 m/s
Surface flag	I zone	I and III zone to 450m AMSL	II zone	III zone to 755m AMSL
≤ 3 m ²	1	2	3	3
≤ 6 m ²	2	3	4	4

 resistance calculations based on: 1 m² of flag = 0,16 kg

Additional equipment

Name of product	Cross-bar 1,0 m	Cross-bar 1,5 m	Cross-bar 2,0 m
Product code	4000	4003	4011
Outreach of cross-bar [m]	1,0	1,5	2,0
Net weight [kg]	1,8	2,0	2,2
Approximate volume [m ³]	0,01	0,01	0,01



- surface: polished aluminium
- anodizing in 12 colours
- option of powder painting in RAL colours (other colours available on request)
- elastomer protection option in the color of the column to a height of 350 mm (other height on request)
- packing: sleeve material
- top: standard gold silver