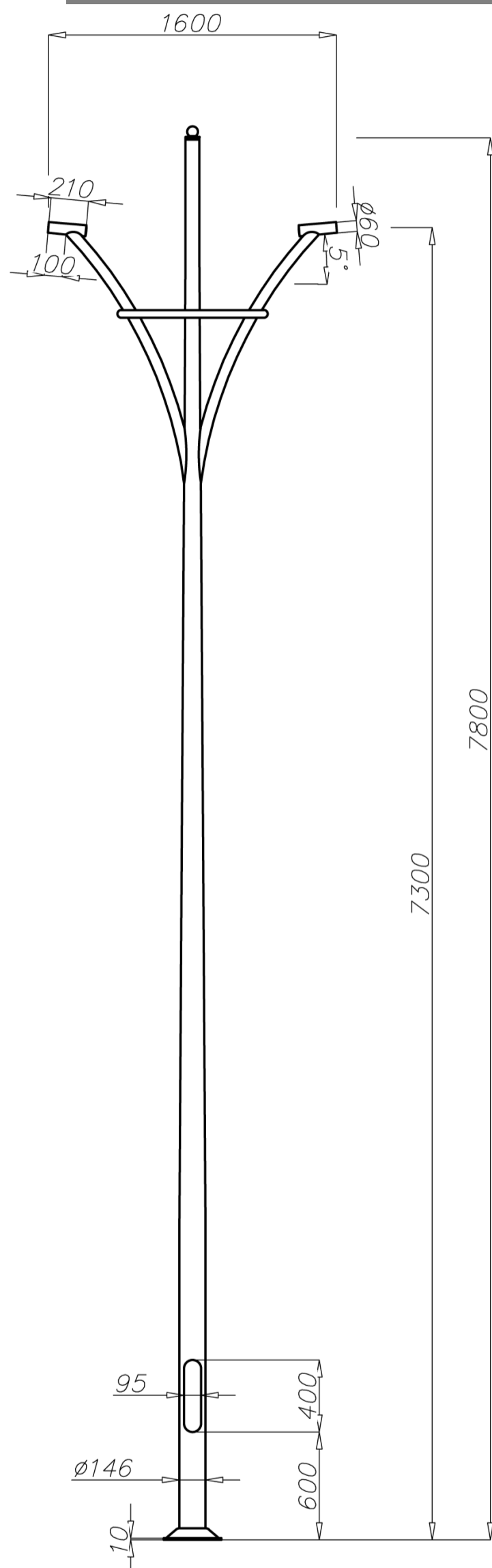


Aluminium column SAL DS-80

diameter 146 mm at the base plate

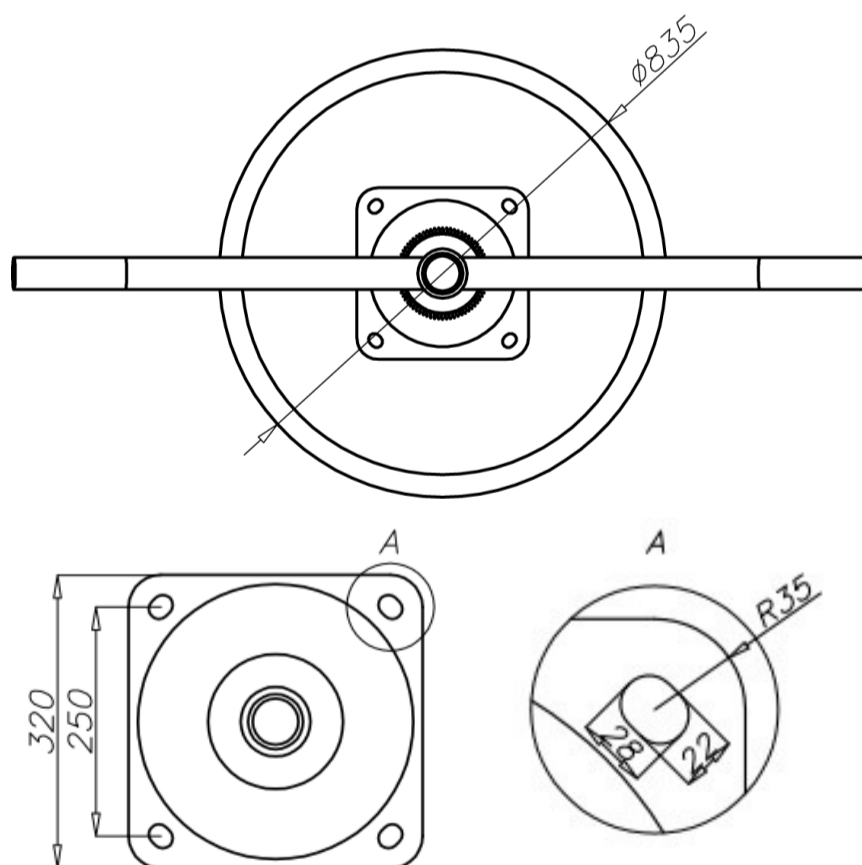


Technical data

Aluminium Column	SAL DS-80
Product code	42978
Column height H [m]	7,8
Wall thickness [mm]	4,2
Net weight [kg]	42,8
Volume [m ³]	1,52
Post top column	luminaires with $\varnothing 60$ spigot entry with weight and windage not exceeding data in resistance calculations
Concrete footing / reinforcement basket	B-60 / Z-60
Concrete footing code / reinforcement basket code	311160 / 311206
Hot galvanized nut set / Hot galvanized ripable nut set	4008 / 4009

Resistance calculations

SAL DS-80 kod 42978	acceptable windage of single luminaire [m ²] for $C_x=0,7$			
	Vref. = 22 m/s	Vref. = 24 m/s	Vref. = 26 m/s	Vref. = 28 m/s
acceptable mass of a single luminaire [kg]	I zone, III location category	I and III zone, III location category to 450 m AMSL	II zone, III location category	III zone, III location category to 755 m AMSL
10	0,16	x	x	x



- surface: polished aluminium
- anodizing in 12 colours
- option of powder painting in RAL colours (other colours available on request)
- elastomer protection option in the color of the column to a height of 350 mm (other height on request)
- ROSA standard wiring chamber
- packing: sleeve material