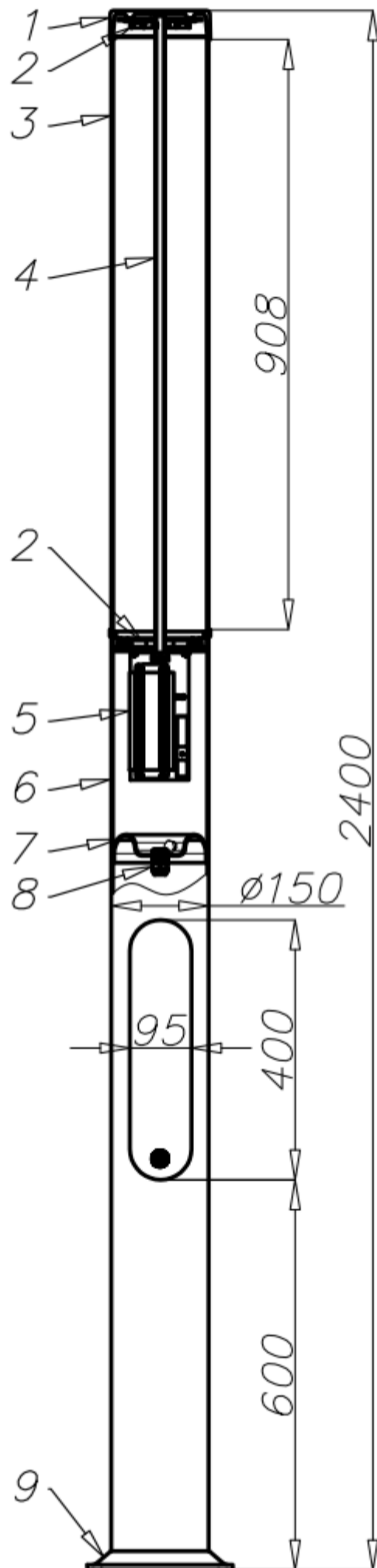


Technical data

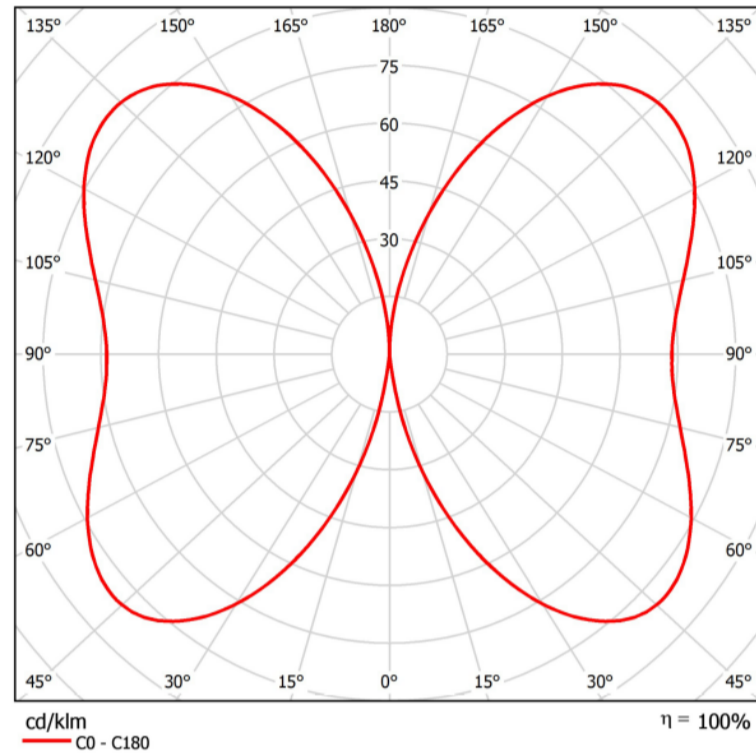
Column	KARIN 2400 LED
Code	45240/6/C...
Light temperature [K]	5000
Protection degree IP	IP 65
Insulation class	II
LEDs power [W]	32
LEDs amount	16
LEDs type	CREE XT-E
Colour rendering index CRI	>75
Lifetime of L70 LEDs[h]	>50 000
Voltage [V]	120 - 277 AC
Frequency [Hz]	50/60
Luminous efficiency [lm/W]	55
Total power [W]	39
Luminous flux* [lm]	2150
Supply current [mA]	700
Height [mm]	2400
Diameter D [mm]	150
Base dimensions [mm]	224 x 224
Concrete footing / reinforcement basket	B-50 / Z-50
Material	aluminium cylindrical tube
Diffuser	PMMA
Diffuser colour	frozen

* due to the precision class of diodes tolerance is +/- 3%

- Low Voltage Directive LVD 2006/95/WE, norm PN-EN 60598-1
- Directive EMC 2004/108/WE, norms: PN-EN 55015, PN-EN 61547, PN-EN 61000-3-2, PN-EN 61000-3-3



Distribution curve KARIN 2400 LED



- surface: polished aluminium
- anodizing in 12 colours
- elastomer protection option in the color of the column to a height of 350 mm (other height on request)
- ROSA standard wiring chamber
- packing: sleeve material / bubble foil

1. Cover
2. LED module
3. Lamp-diffuser
4. Frame
5. Driver
6. Aluminium tubular body
7. Insulation insert
8. Cable gland
9. Base plate