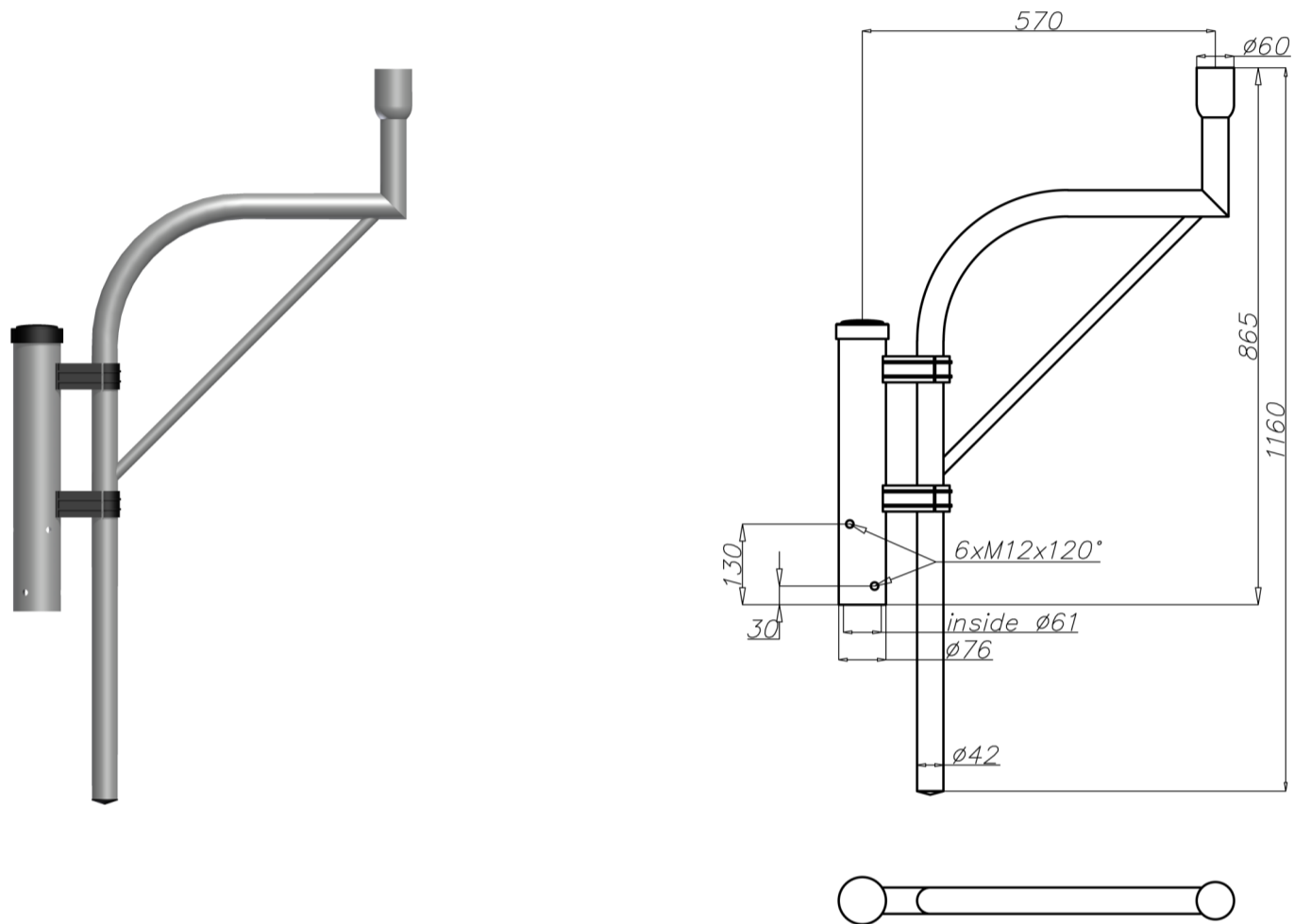


# Aluminium extension arm WA-5/1



## Technical data

Extension arm	WA-5/1
Product code	471051
Application	aluminium columns with ending Ø60x180
Arm quantity	1
Net weight [kg]	3,6
Windage [m <sup>2</sup> ]	0,116
Volume [m <sup>3</sup> ]	0,056
Assembling diameter of luminaire [mm]	Ø 60
Compatible luminaires	OP, OPC-1, OPA-1

- anodizing in 12 colours
- option of powder painting in RAL colours (other colours available on request)
- packing: sleeve material
- CE certificate valid for use on poles manufactured by ROSA company