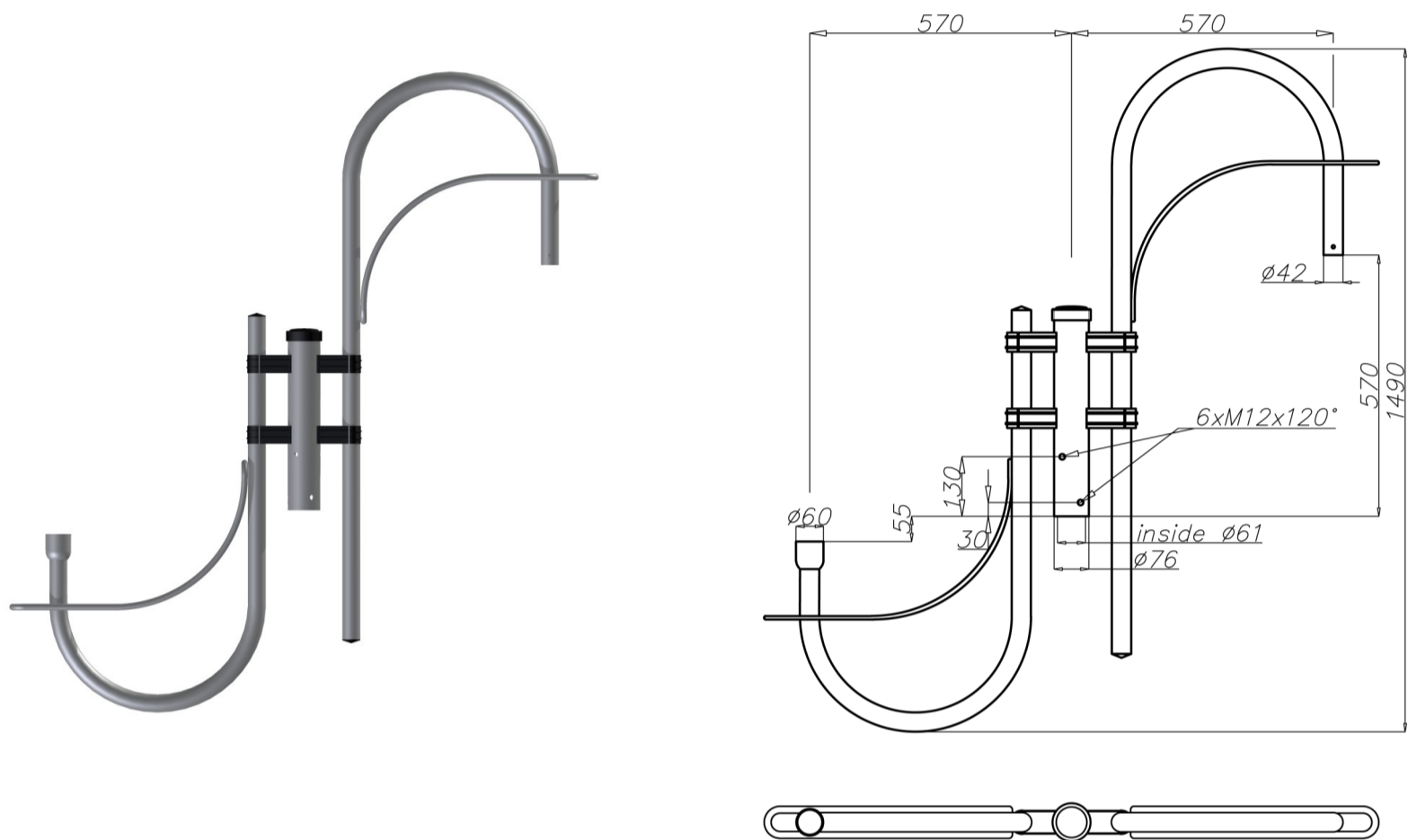


# Aluminium extension arm WA-9/2



## Technical data

Extension arm	WA-9/2
Product code	471092
Application	aluminium columns with ending $\varnothing 60 \times 180$
Arm quantity	2
Net weight [kg]	6,7
Windage [m <sup>2</sup> ]	0,208
Volume [m <sup>3</sup> ]	0,074
Assembling diameter of luminaire [mm]	$\varnothing 42$
Compatible luminaires	OPA-1/OPA

- anodizing in 12 colours
- option of powder painting in RAL colours (other colours available on request)
- packing: sleeve material
- CE certificate valid for use on poles manufactured by ROSA company