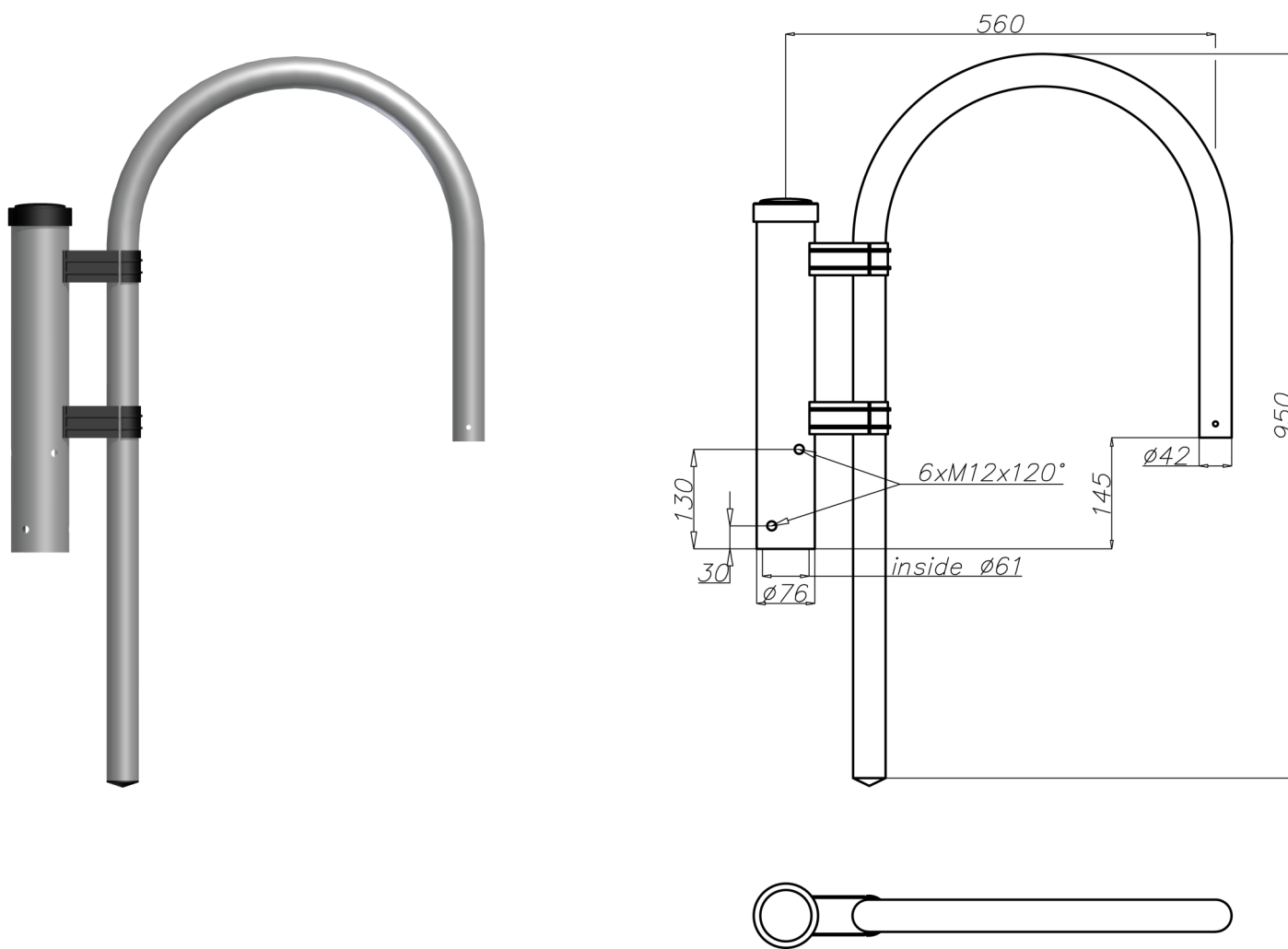


Aluminium extension arm WA-15/1 P



Technical data

Extension arm	WA-15/1 P
Product code	471151
Application	aluminium columns with ending $\varnothing 60 \times 180$
Arm quantity	1
Net weight [kg]	3,8
Windage [m ²]	0,112
Volume [m ³]	0,051
Assembling diameter of luminaire [mm]	$\varnothing 42$
Compatible luminaires	OW, OW-2, OPA

- anodizing in 12 colours
- option of powder painting in RAL colours (other colours available on request)
- packing: sleeve material
- CE certificate valid for use on poles manufactured by ROSA company