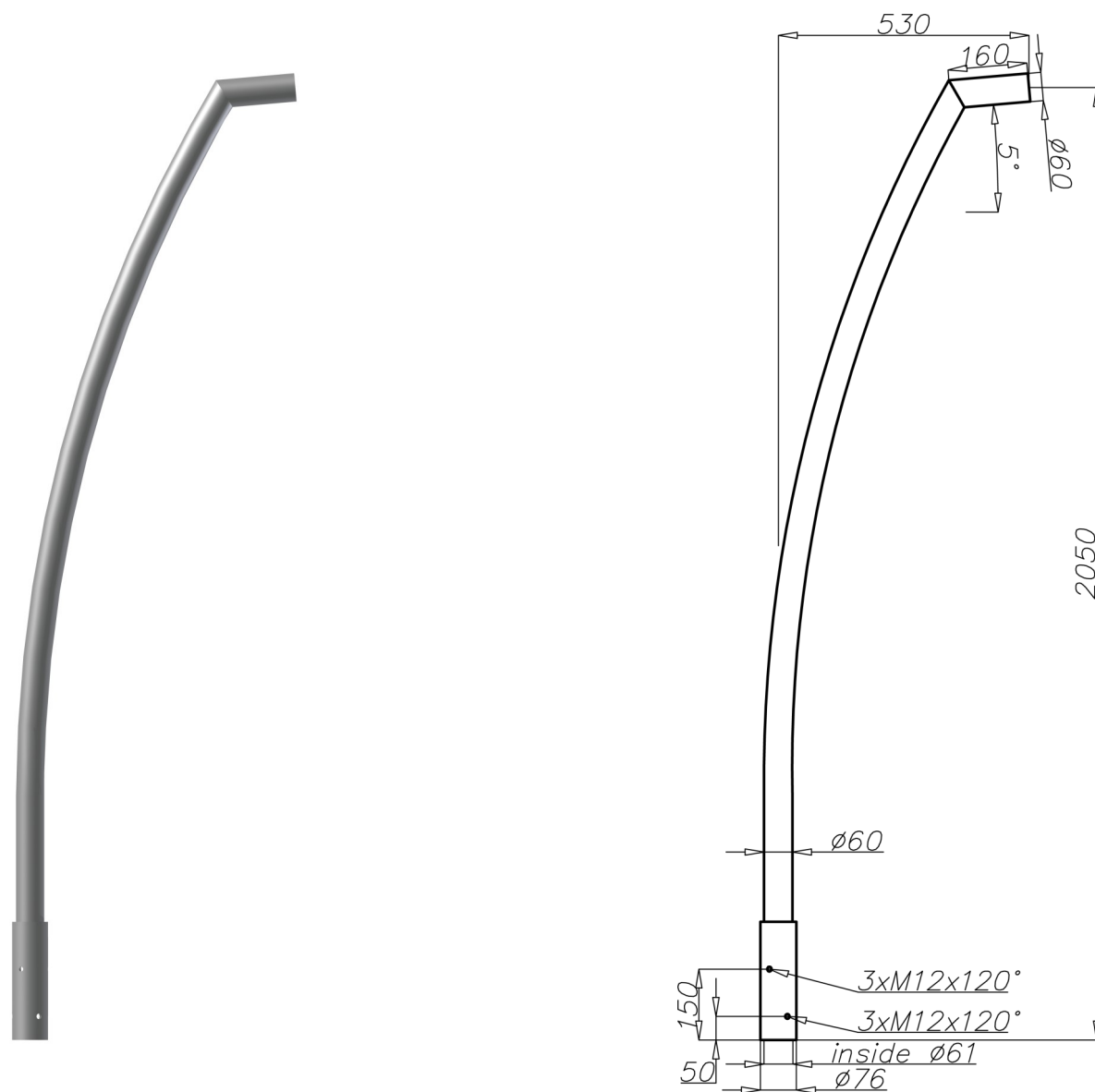


# Aluminium extension arm WR-12/1



## Technical data

Extension arm	WR-12/1
Product code	472121
Application	aluminium columns with ending Ø60x180
Arm quantity	1
Net weight [kg]	4,3
Windage [m <sup>2</sup> ]	0,132
Volume [m <sup>3</sup> ]	0,05
Assembling diameter of luminaire [mm]	Ø 60x100
Compatible luminaires	street luminaires

- anodizing in 12 colours
- option of powder painting in RAL colours (other colours available on request)
- packing: sleeve material
- CE certificate valid for use on poles manufactured by ROSA company