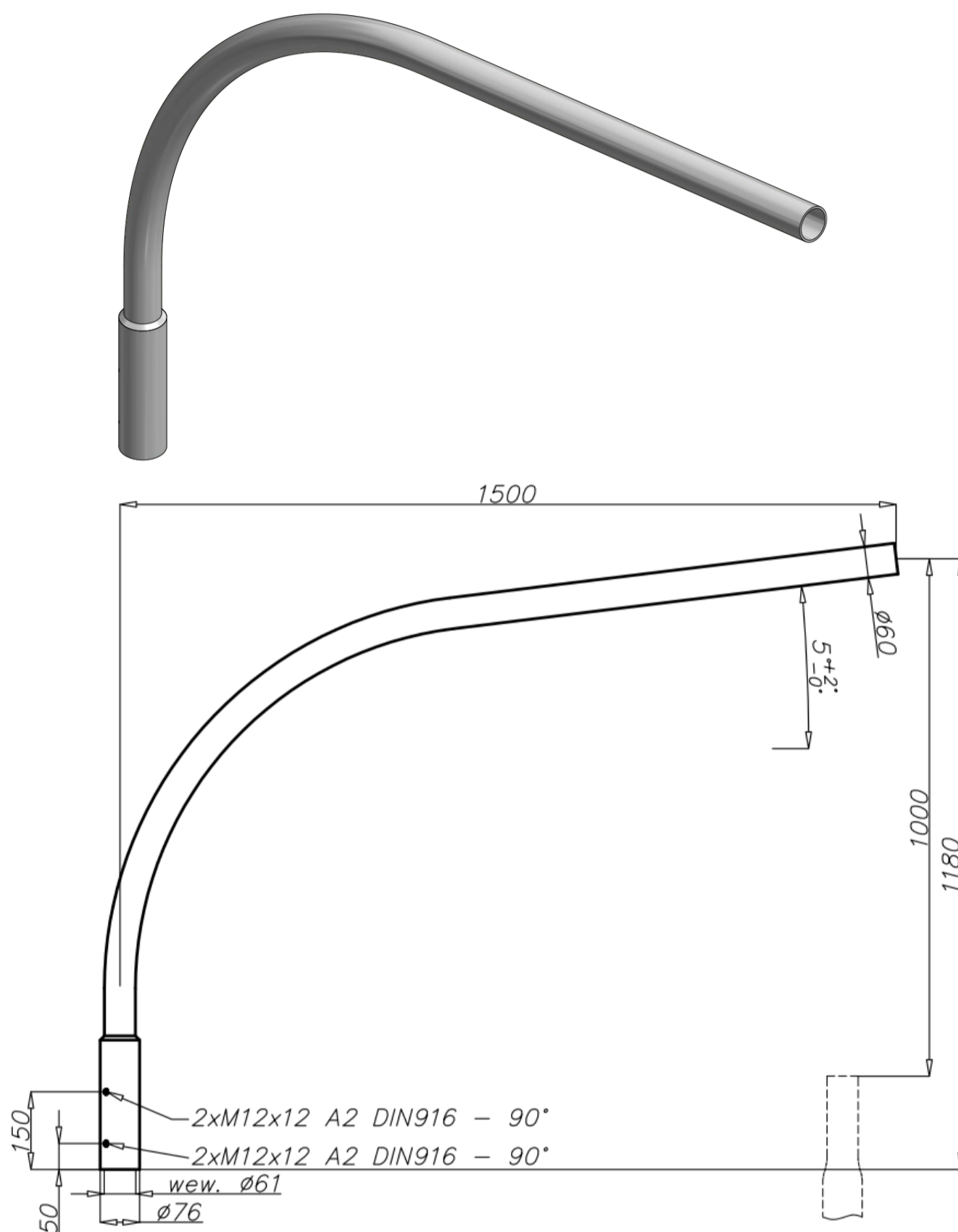


# Aluminium extension arm WR-14/1/1,5/5



## Technical data

|                                       |   |
|---------------------------------------|---|
| Extension arm                         | WR-14/1/1,5/5   |
| Product code                          | 47214115  |
| Application                           | aluminium columns with ending $\varnothing 60 \times 180$ |
| Arm quantity                          | 1   |
| Net weight [kg]                       | 4,4   |
| Windage [m <sup>2</sup> ]             | 0,14  |
| Volume [m <sup>3</sup> ]              | 0,066   |
| Assembling diameter of luminaire [mm] | $\varnothing 60 \times 100$                               |
| Compatible luminaires                 | street luminaires   |

- anodising in 10 colours, each with possibility of brightening
- option of powder painting in RAL colours (other colours available on request)
- packing: sleeve material
- CE certificate valid for use on poles manufactured by ROSA company