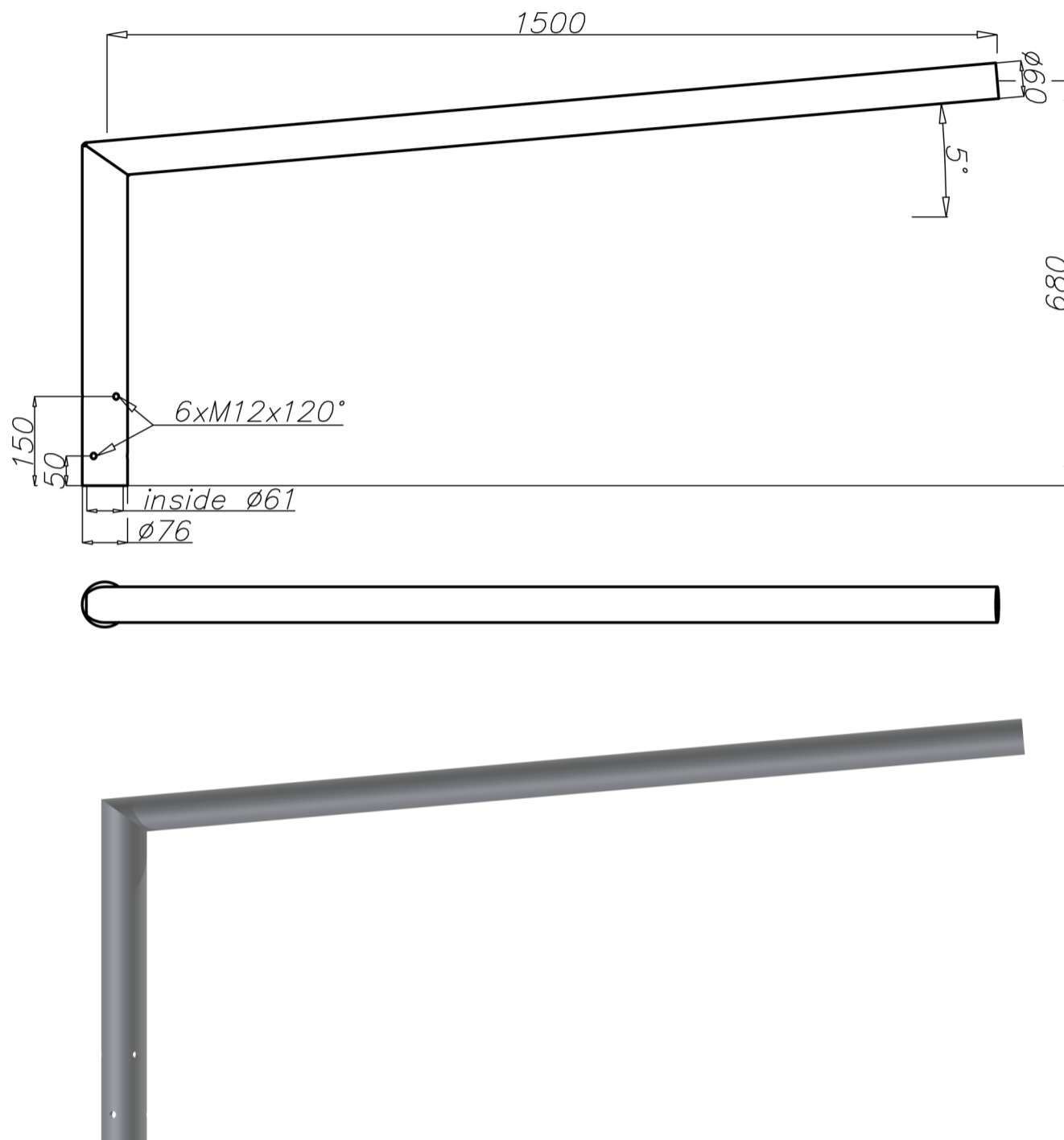


Aluminium extension arm WRP-1/1,5/0,7/5



Technical data

Extension arm	WRP 1/1,5/0,7/5
Product code	47219121
Application	aluminium columns with ending $\varnothing 60 \times 180$
Arm quantity	1
Net weight [kg]	4,4
Windage [m ²]	0,133
Volume [m ³]	0,07
Assembling diameter of luminaire \varnothing [mm]	$\varnothing 60$
Compatible luminaires	street luminaires

- anodizing in 12 colours
- option of powder painting in RAL colours (other colours available on request)
- packing: sleeve material
- CE certificate valid for use on poles manufactured by ROSA company