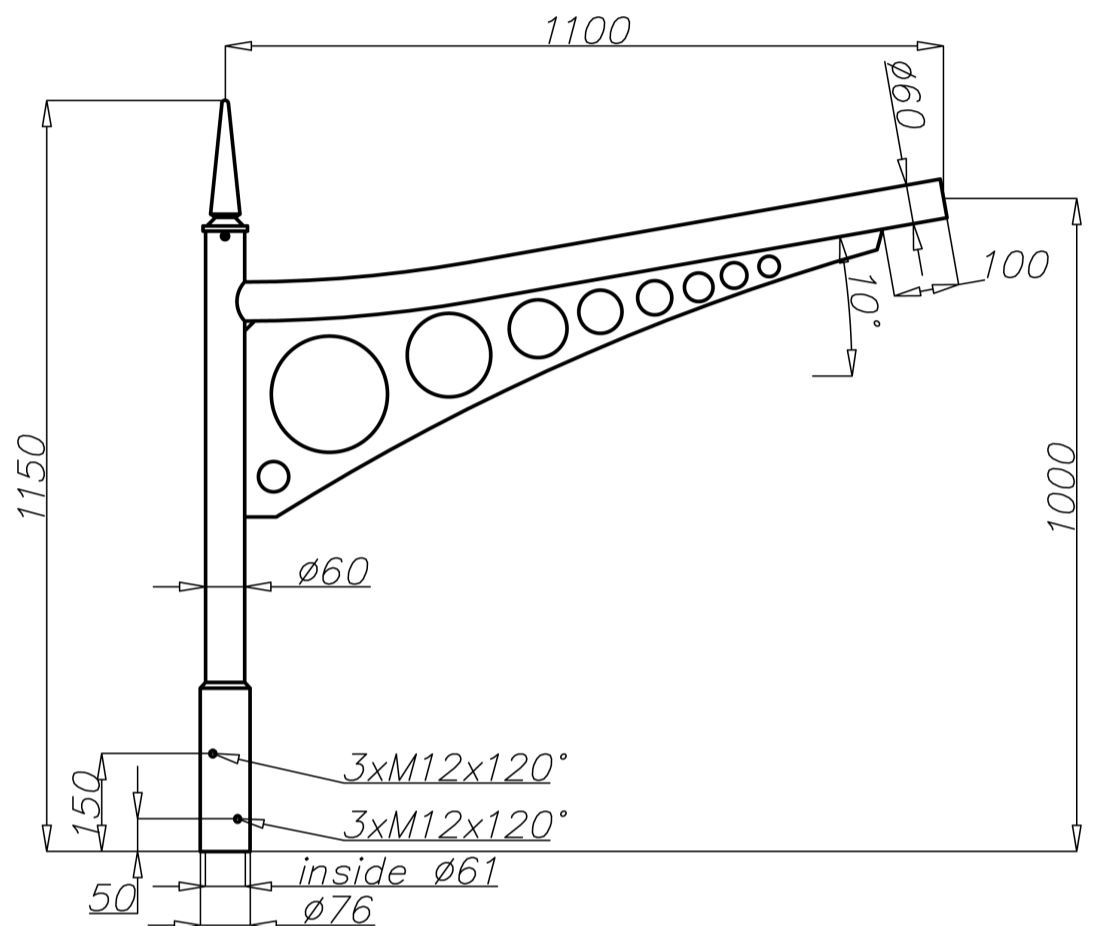
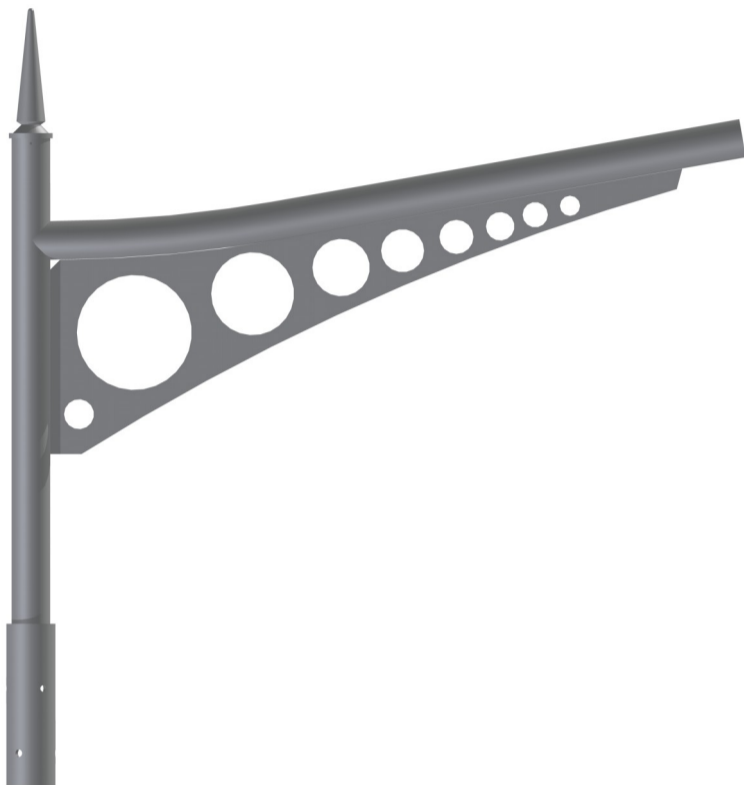


# Aluminium extension arm WR-31



## Technical data

Extension arm	WR-31
Product code	472311
Application	aluminium columns with ending $\text{ø}60 \times 180$
Arm quantity	1
Net weight [kg]	6,2
Windage [m <sup>2</sup> ]	0,212
Volume [m <sup>3</sup> ]	0,09
Assembling diameter of luminaire [mm]	$\text{ø} 60$
Compatible luminaires	street luminaires

- anodizing in 12 colours
- option of powder painting in RAL colours (other colours available on request)
- packing: sleeve material
- CE certificate valid for use on poles manufactured by ROSA company