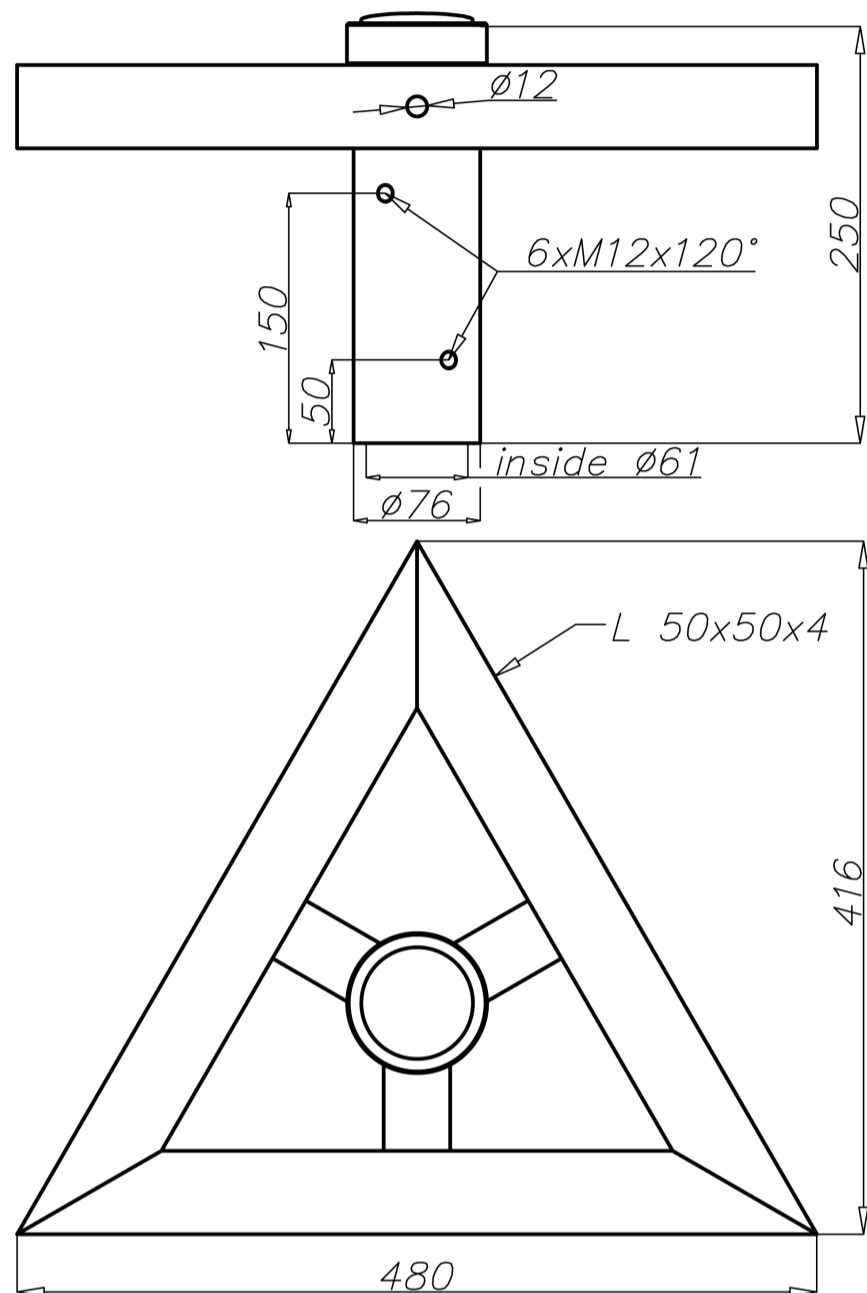
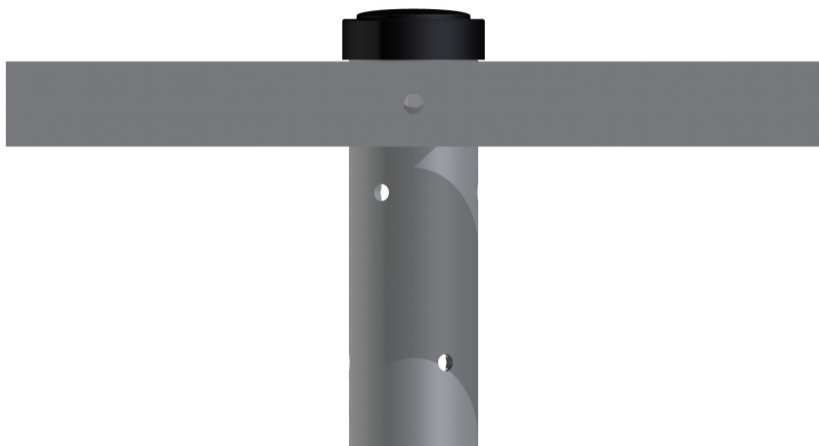


# Aluminium extension arm WN-3



## Technical data

Extension arm	WN-3
Product code	473030
Application	aluminium columns with ending $\varnothing 60 \times 180$
Arm quantity	3
Net weight [kg]	2,7
Windage [m <sup>2</sup> ]	0,04
Volume [m <sup>3</sup> ]	0,02
Assembling diameter of luminaire $\varnothing$ [mm]	x
Compatible luminaires	floodlight

- anodizing in 12 colours
- option of powder painting in RAL colours (other colours available on request)
- packing: sleeve material
- CE certificate valid for use on poles manufactured by ROSA company