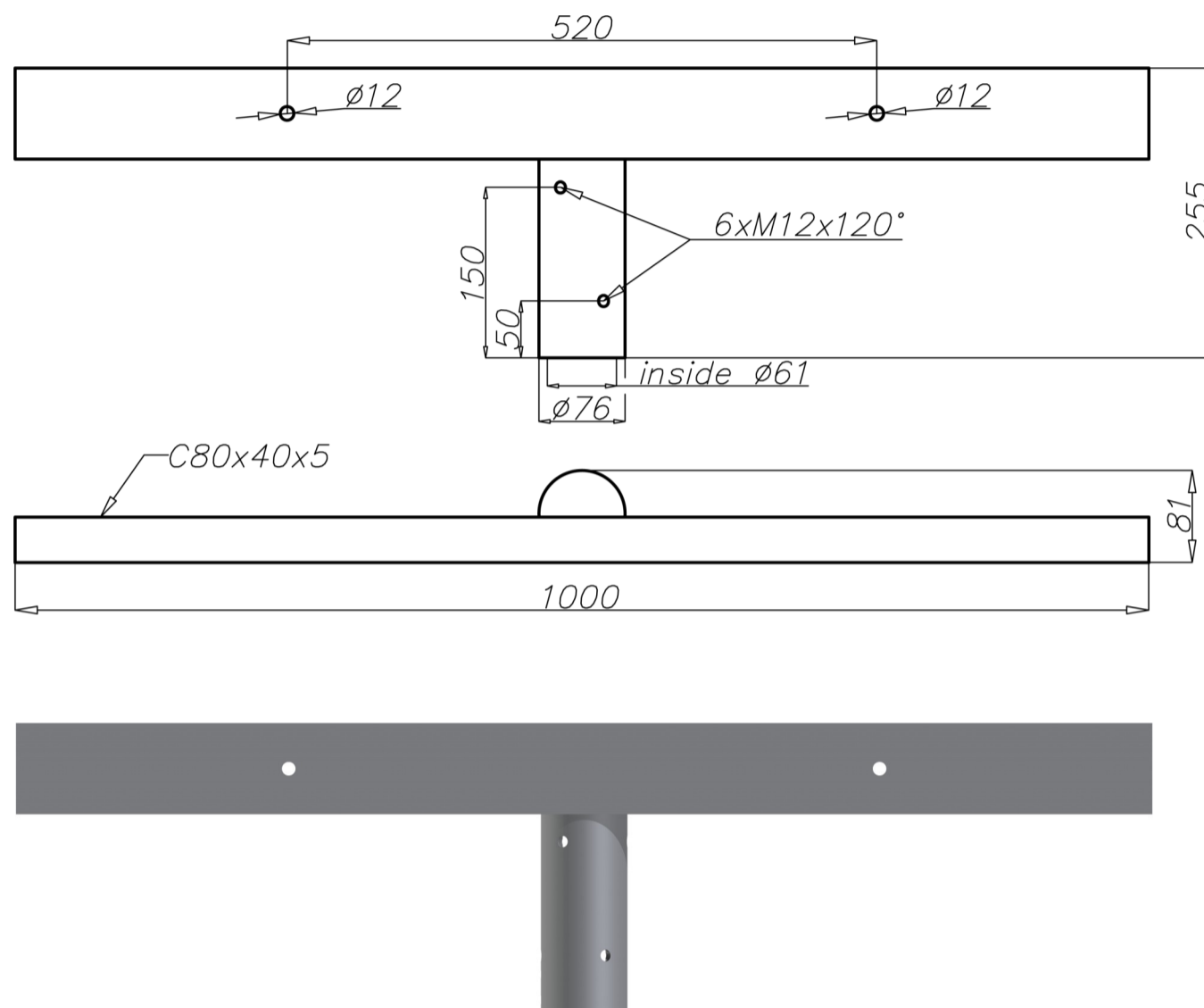


# Aluminium extension arm WN-21



## Technical data

Extension arm	WN-21
Product code	473210
Application	aluminium columns with ending Ø60x180
Arm quantity	2
Net weight [kg]	3,0
Windage [m <sup>2</sup> ]	0,09
Volume [m <sup>3</sup> ]	0,02
Assembling diameter of luminaire Ø [mm]	x
Compatible luminaires	projektorzy

- anodizing in 12 colours
- option of powder painting in RAL colours (other colours available on request)
- packing: sleeve material
- CE certificate valid for use on poles manufactured by ROSA company