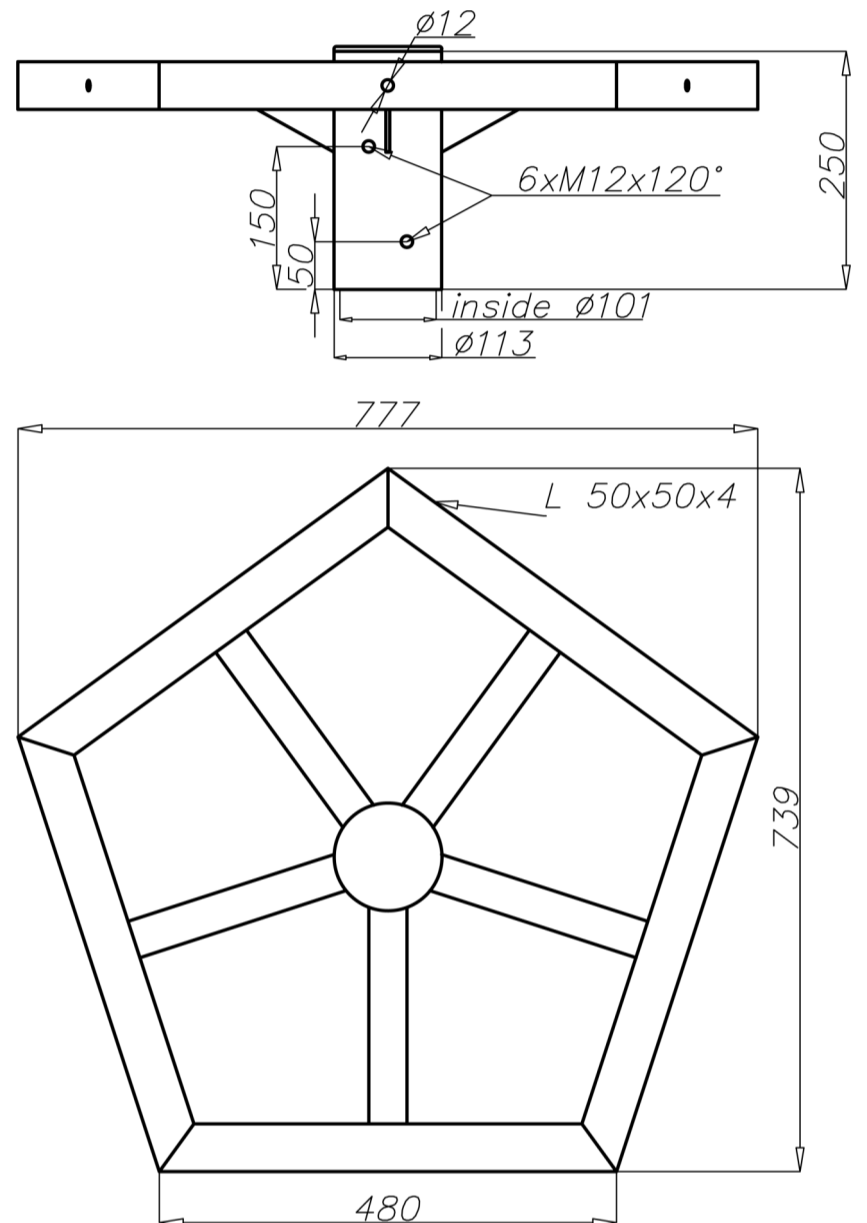
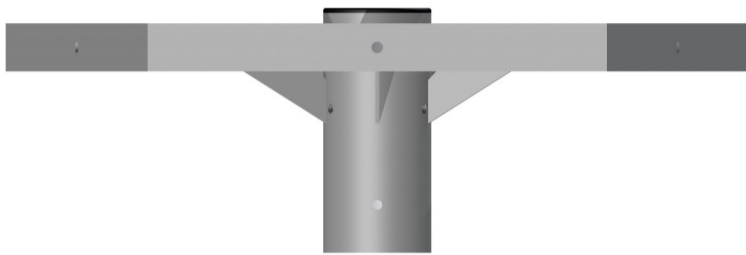


# Aluminium extension arm WM-5



## Technical data

Extension arm	WM-5
Product code	474050
Application	aluminium light masts with ending $\varnothing 100 \times 180$
Arm quantity	5
Net weight [kg]	5,9
Windage [m <sup>2</sup> ]	0,06
Volume [m <sup>3</sup> ]	0,05
Assembling diameter of luminaire $\varnothing$ [mm]	60
Compatible luminaires	projectors

- anodizing in 12 colours
- option of powder painting in RAL colours (other colours available on request)
- packing: sleeve material
- CE certificate valid for use on poles manufactured by ROSA company