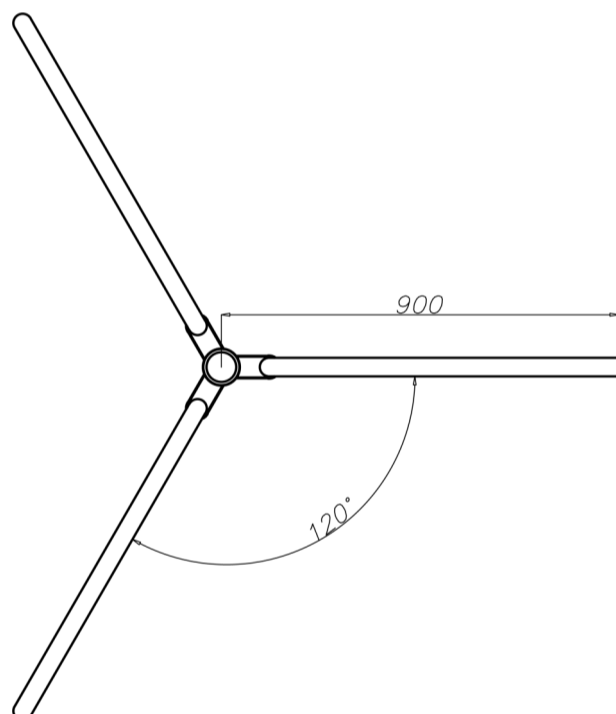
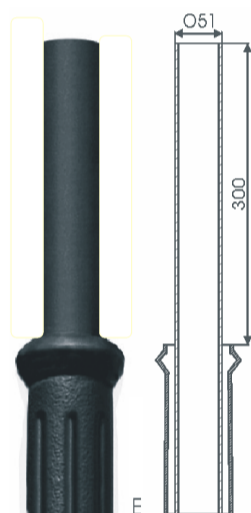
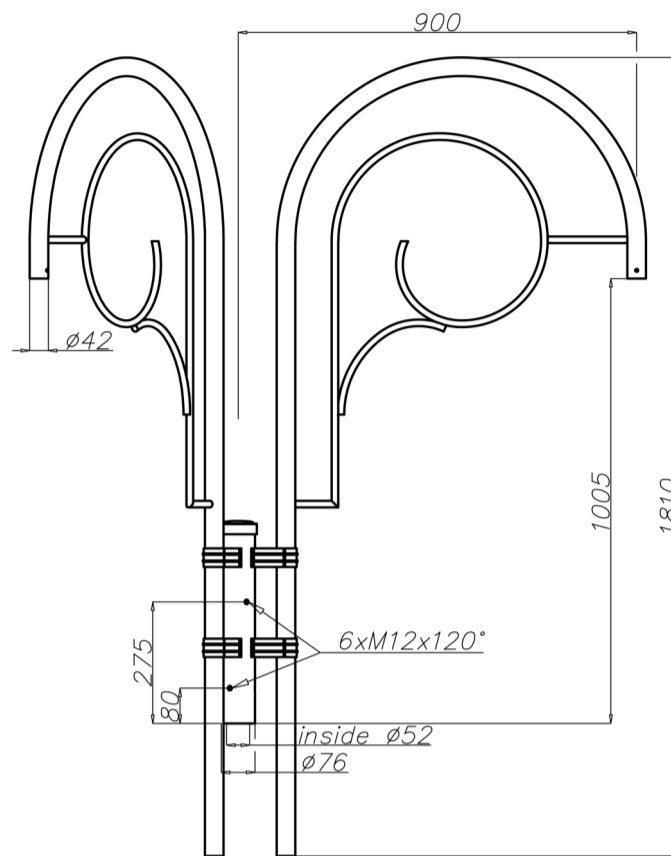
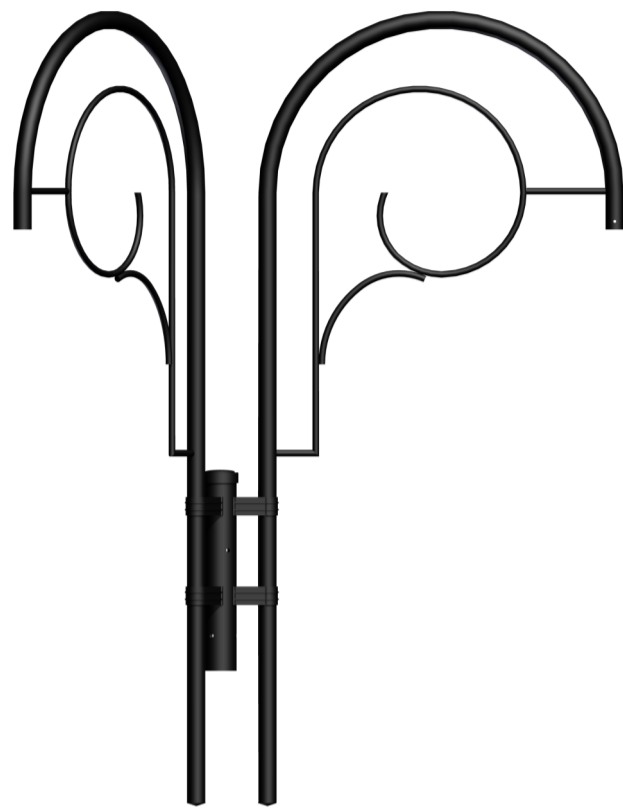


# Aluminium extension arm WTM-20/3



## Technical data

Extension arm	WTM-20/3
Product code	476203/C35
Application	poles type SM and SP with spigot ending "E"
Arm quantity	3
Net weight [kg]	13,0
Volume [m <sup>3</sup> ]	0,33
Assembling diameter of luminaire $\varnothing$ [mm]	$\varnothing$ 42
Compatible luminaires	luminaires

- standard anodized in black
- possibility of anodizing in other colours
- option of powder painting in RAL colours (other colours available on request)
- packing: stretch foil