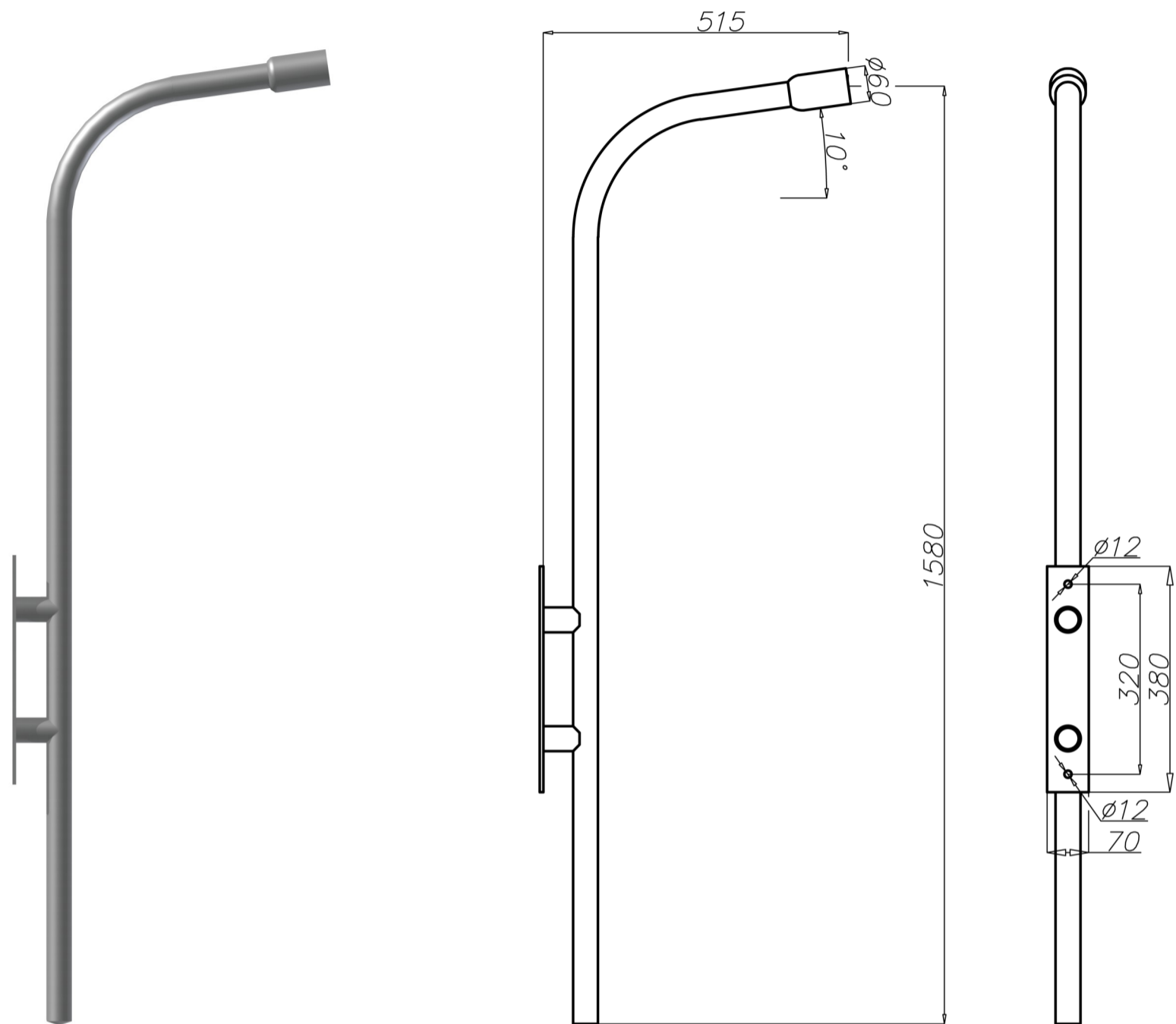


# Aluminium wall bracket KA-15



## Technical data

Wall bracket	KA-15
Product code	478150
Net weight [kg]	2,8
Volume [m <sup>3</sup> ]	0,04
Assembling diameter of luminaire $\varnothing$ [mm]	$\varnothing$ 60
Compatible luminaires	street luminaires

- anodizing in 12 colours
- option of powder painting in RAL colours (other colours available on request)
- packing: sleeve material