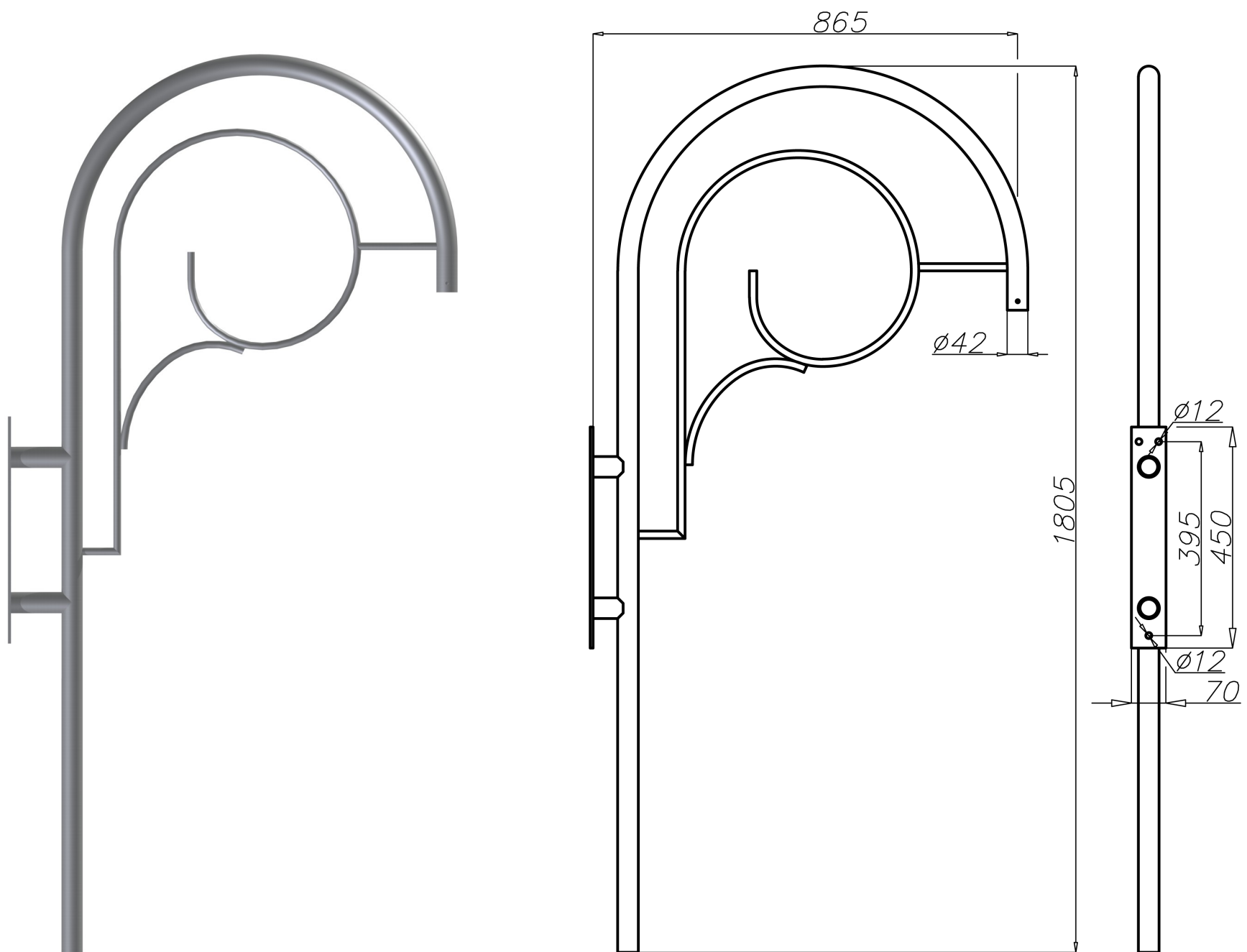


Aluminium wall bracket KA-20



Technical data

Wall bracket	KA-20
Product code	478200
Net weight [kg]	4,3
Volume [m ³]	0,09
Assembling diameter of luminaire Ø [mm]	Ø 42
Compatible luminaires	OW, OPA

- anodizing in 12 colours
- option of powder painting in RAL colours (other colours available on request)
- possibility of making assembling diameter of luminaire Ø 60 mm
- packing: sleeve material